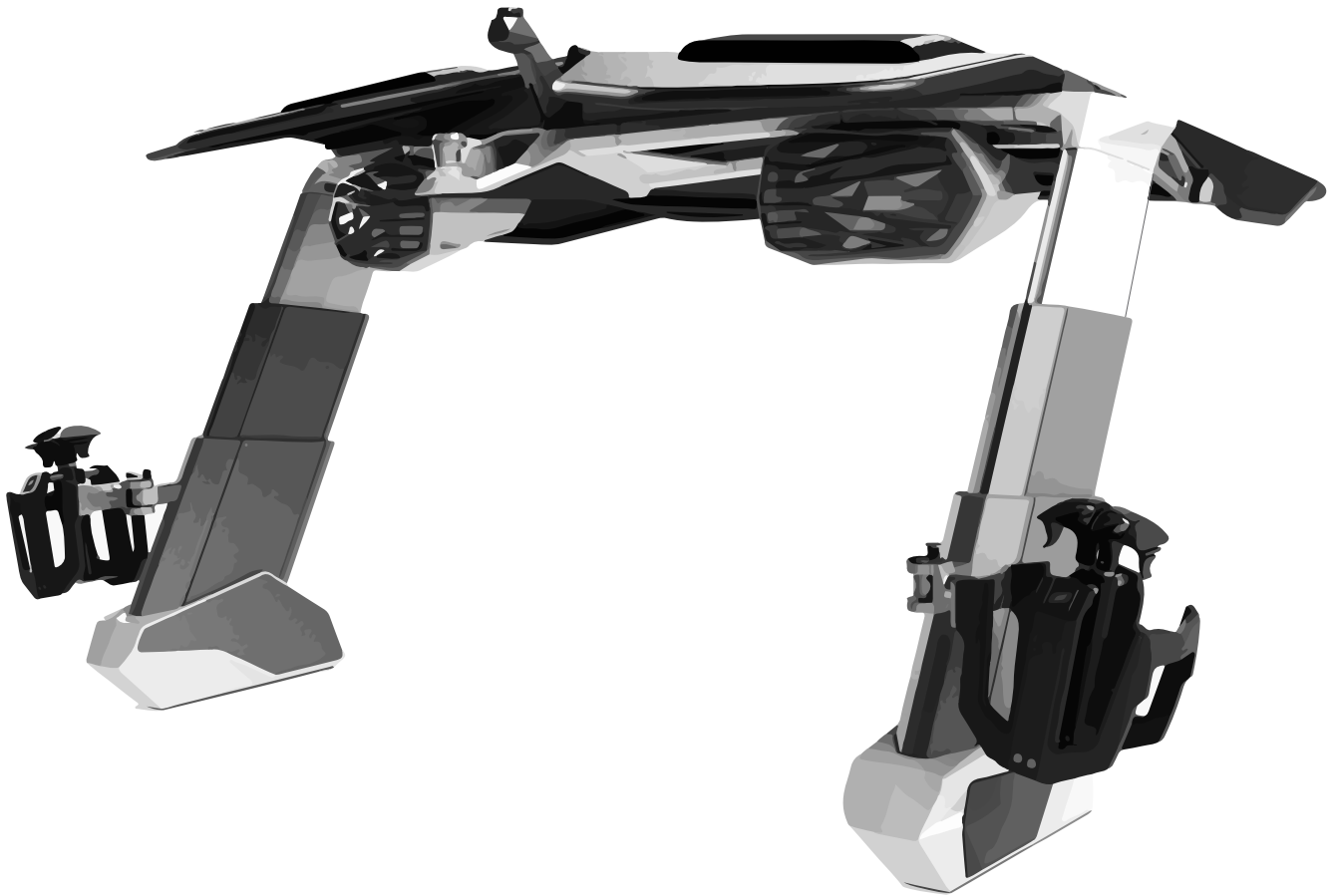


NAUTIQUE



TELESCOPING FLIGHT CONTROL TOWER



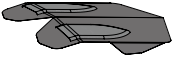




P-Series Tower # C817-200208
Tower Speakers # C817-200154
Bimini Frame # C917-200209
Bimini Fabric # C917-200235
Nautique Triton Board Racks # C917-180045

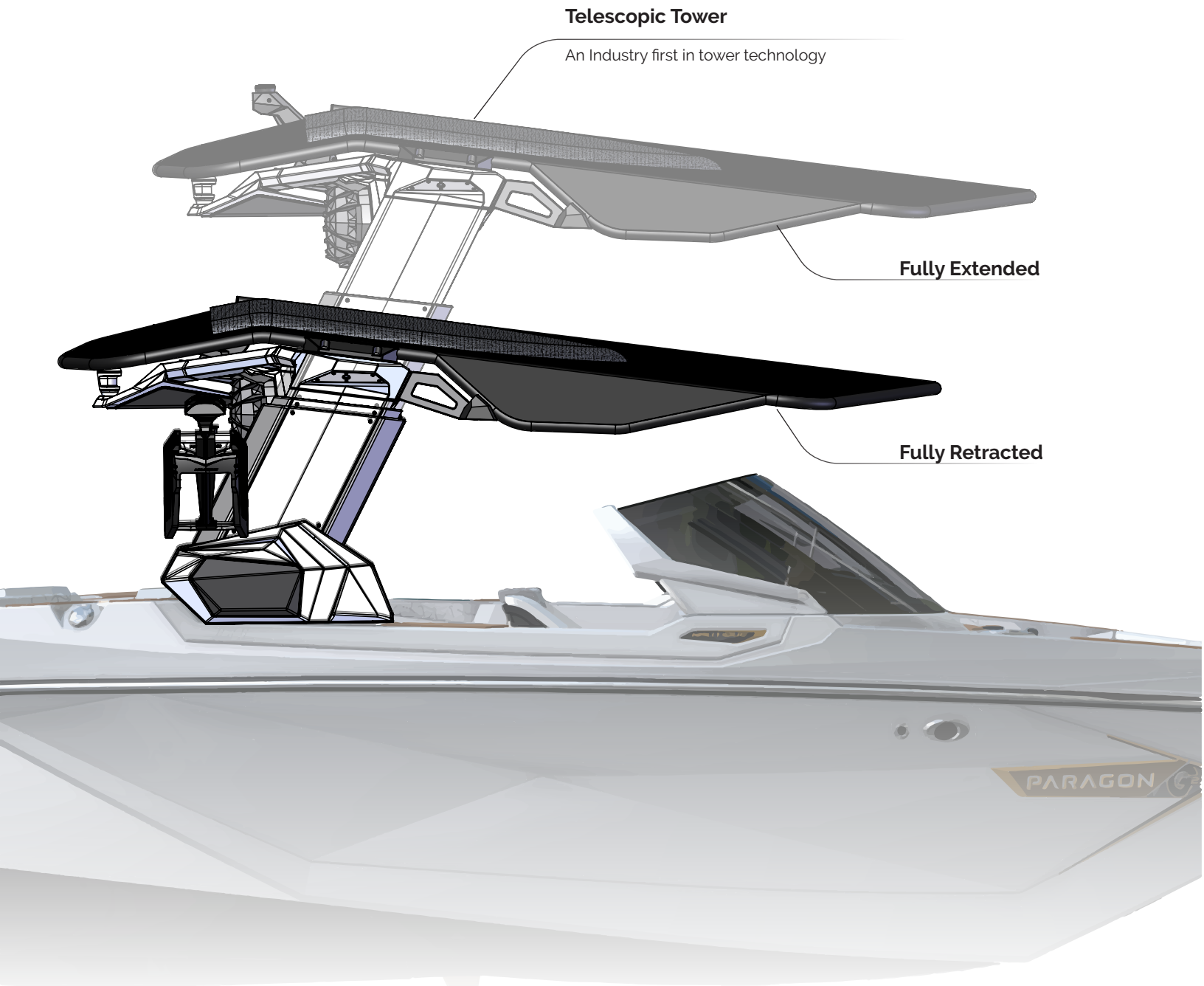
Information: info@roswellmarine.com
Warranty: warranty@roswellmarine.com

If you have any questions please call : 1-321-638-1331
www.roswellmarine.com



TABLE OF CONTENTS

	Tower Features	3-4
	About Your Tower	5
	Bimini Instructions	6-11
	Using Your Tower	12-13
	Safe Trailering	14-15
	Speaker Housings	16
	Board Racks	17-21
<u>Trouble shooting</u>		
	Wiring Diagram	22-24
	Tower	25



Telescopic Tower

An Industry first in tower technology

Fully Extended

Fully Retracted

Industry Leading Telescopic Tower

The all new P-Series tower by ROSWELL is an industry first in Telescopic Tower Technology. This tower now gives you the ability to raise and retract your tower with the push of a button. One advantage of this is you can keep your Bimini fully deployed in both the up and down position.

Bimini + Sun Shade

This tower features a fully deployed bimini in both its up and down positions. This fully deployed system makes it easier and faster to get on and off the water with out the hassle of deploying or collapsing your bimini.

Additional clips are mounted on the bimini fabric to attach additional sun shades.

Surf Pockets

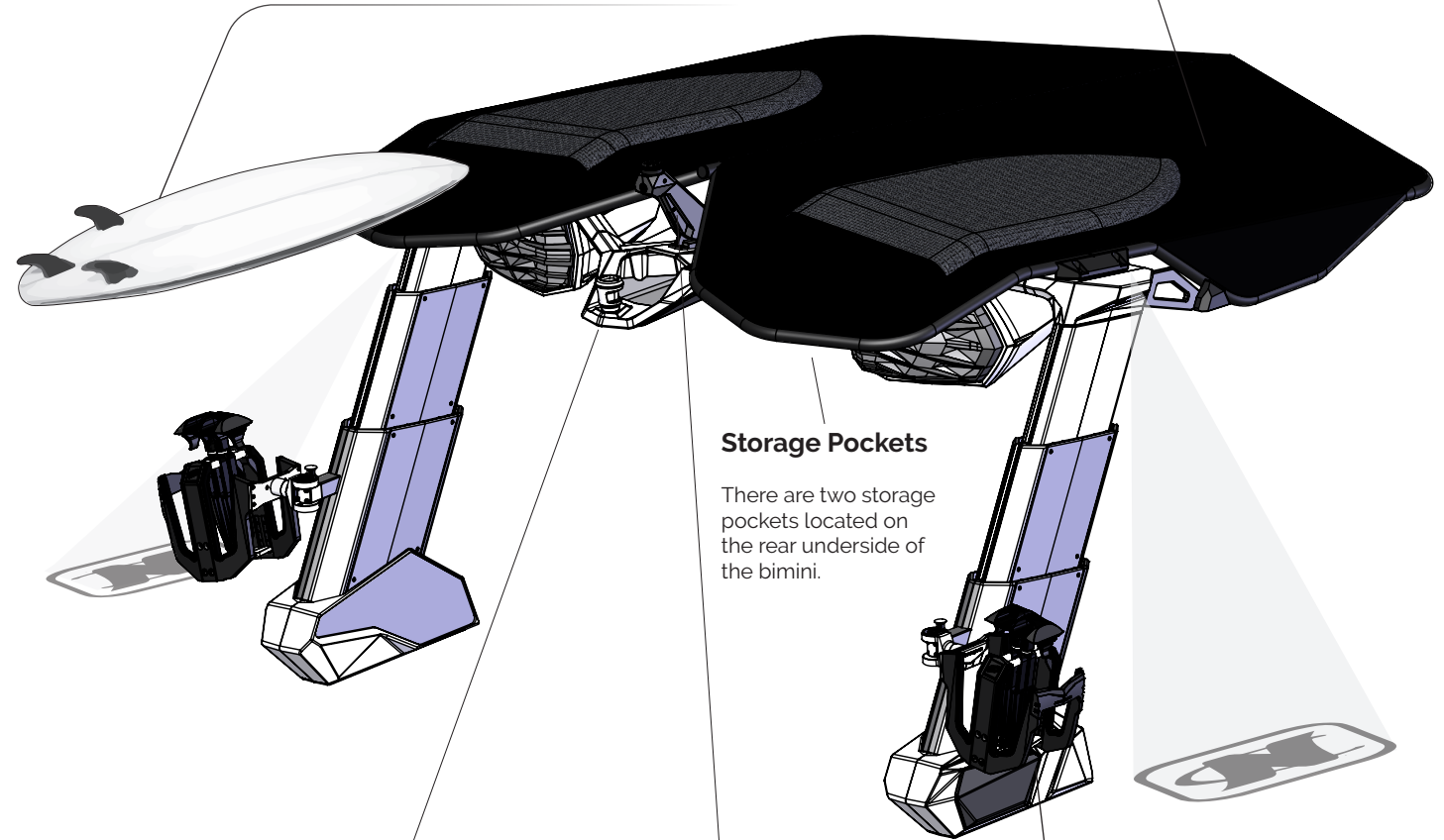
On top of your bimini there are two pockets dedicated to holding your surf boards. Insert your boards fin up and securely fasten the strap around the fins to hold the board in place.

Storage Pockets

There are two storage pockets located on the rear underside of the bimini.

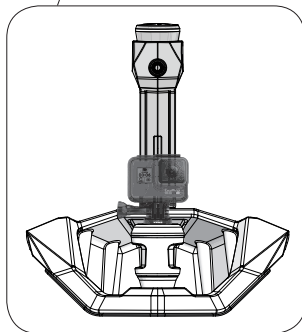
Dock Projectors

There are two dock projector integrated into the corners of the tower.



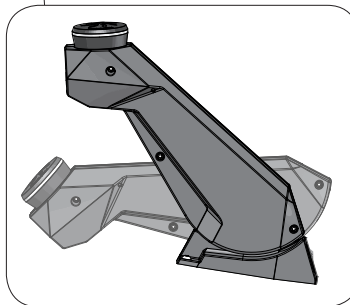
Courtesy Lighting

There is additional lighting integrated into the speaker housings that can be controlled by the boats lighting system.



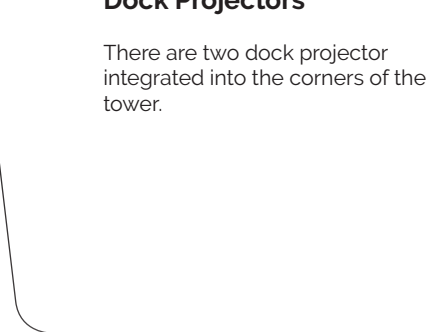
GoPro Mount

On top of your swiveling tow head there is a location built in to attach your GoPro to catch all of your water-sport moments.



Nav Light

Yes, even the nav light extends and retracts. This will raise when you turn on your anchor or accessory lighting an override switch in the center of the tower that allows you to manually operate the nav light.



Board Racks

This tower comes with the Nautique TRITON vertical board rack. These keep the water dripping back to where it came from. These racks can fit boards 14"-23" wide.

 **ATTENTION** **GENERAL TOWER CARE & MAINTENANCE**

This product is to be used for the sole purpose of wakeboarding, wakesurfing, hydrofoiling, and kneeboarding.

The tower is intended to center tow a maximum of two wake boarders at one time and no more than 400lbs (181kg) collectively.

The tower can only safely tow riders in the fully upright or fully retracted position. DO NOT TOW WITH THE TOWER IN ANY OTHER POSITION! Towing a rider in any position other than the fully up or down position will void the towers warranty.

Check all tower hardware before every use on the water. We recommend keeping a set of Allen wrenches and a screwdrivers on your boat for this purpose. Verify that all bolts, screws, and nuts are tight. Even with thread-locker they may loosen over time.

Never attach a tow rope to anything other than the tow head.

Do not use the board racks as entry/exit handles to get in and out of the boat – they are not designed for this purpose.

Never hang from the tower or speakers. Do not climb or sit on the tower.

Be aware of the tow rope at all times. Ensure that it is not attached to anything on the tower other than the tow head, and that the rope is clear of any cleats or objects on the boat before pulling the rider up and out of the water.

Never travel through extremely rough water with wakeboards, wakesurfers, skis, etc. In the racks.

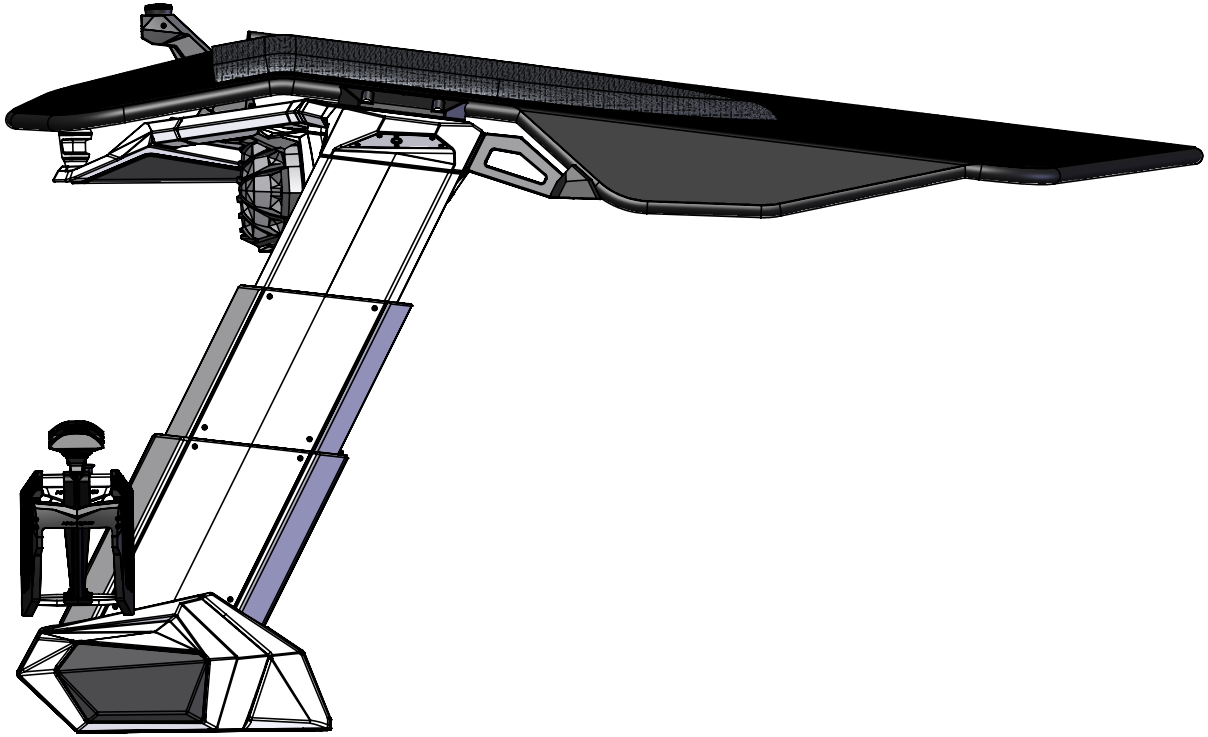
Be cautious when driving your boat on the water or on a trailer if you have board racks. They may decrease your clearance into a garage or slip. Rotate board racks inboard.

Check the clearance between your tower and any overhead obstacles including bridges, canals etc.

NEVER USE CLEANERS ON YOUR TOWER OR ACCESSORIES! Your Roswell tower has been treated with an automotive paint coating that forms a protective layer. A mild soap and water combination may be used to remove traveling grime or water spots. Clean with each use. Use only a soft cloth and never use any chemical cleaners. Treat as you would your vehicle. Wax to protect finish.

Happy Boating

Bimini Instructions



Bimini # C917-200209

⚠ ATTENTION ⚠

Read & follow these instructions carefully. Failure to do so may result in damage to parts. Damage to parts from improper use is not covered under warranty.

GENERAL BIMINI CARE & MAINTENANCE

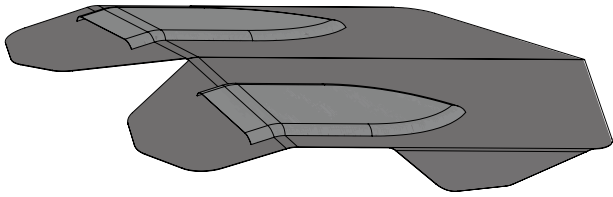
Check all bimini hardware before every use on the water. We recommend keeping a set of Allen wrenches on your boat for this purpose. Verify that all bolts are tight. Even with threadlocker they may loosen over time.

Watch your head when walking under the tower & bimini.

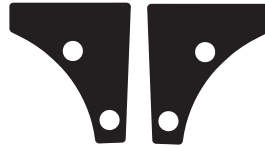
NEVER USE CLEANERS ON YOUR BIMINI FRAME

The bimini is designed with materials and finishes that resist the elements. A mild soap and water combination may be used to remove traveling grime or water spots on the metal components. Use only a soft cloth and never use any chemical cleaners. Clean after each use.

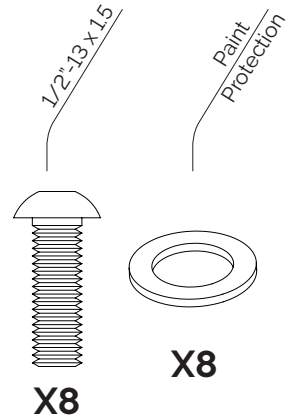
Package Contents



X1 Bimini Fabric

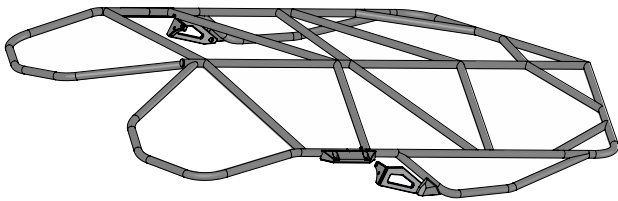


X1 Pair of Front Paint Protection Spacers



X8

X8

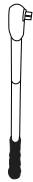


X1 Bimini Frame



X1 Pair of Top Paint Protection Spacers

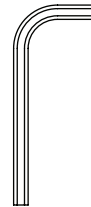
Tools Required



Torque Wrench



Red Threadlock



Allen Key 5/16"

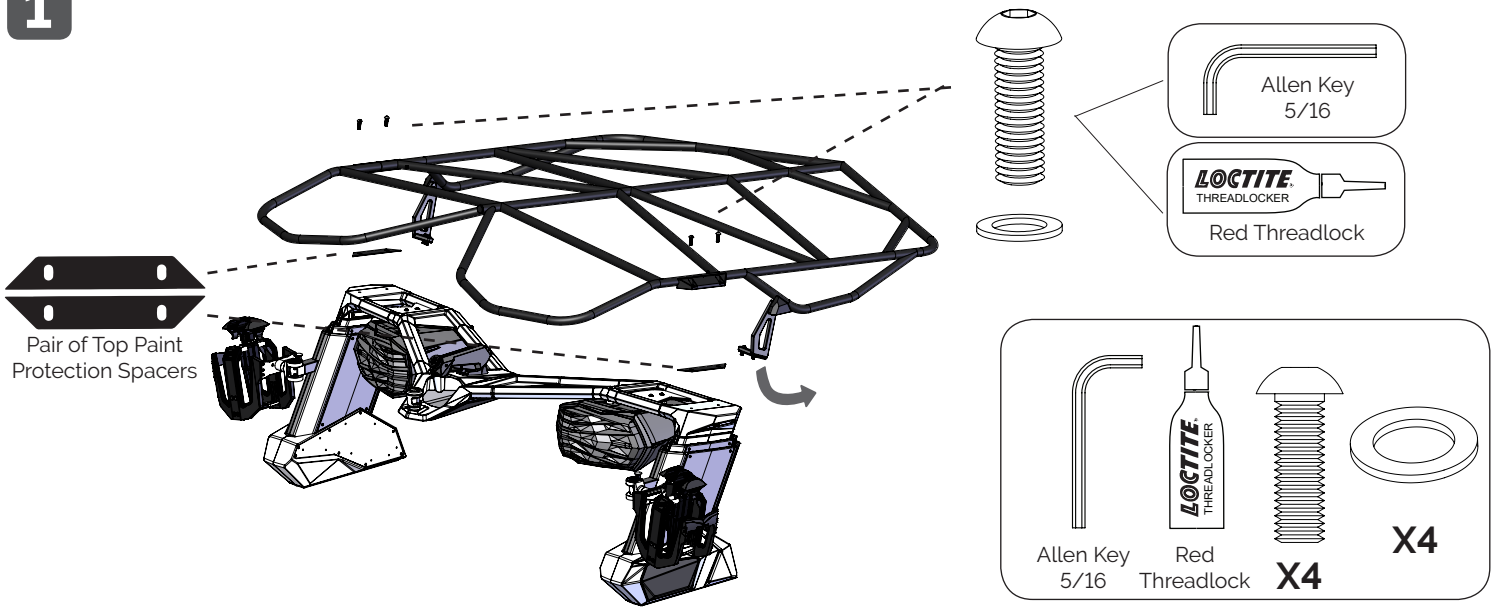
Preparation

Lay down a protective cloth and set the bimini on top of it. Make sure that you have all of the correct hardware and tools to complete the task. It will be easier to install the bimini when the tower is fully retracted.

Two Person Job

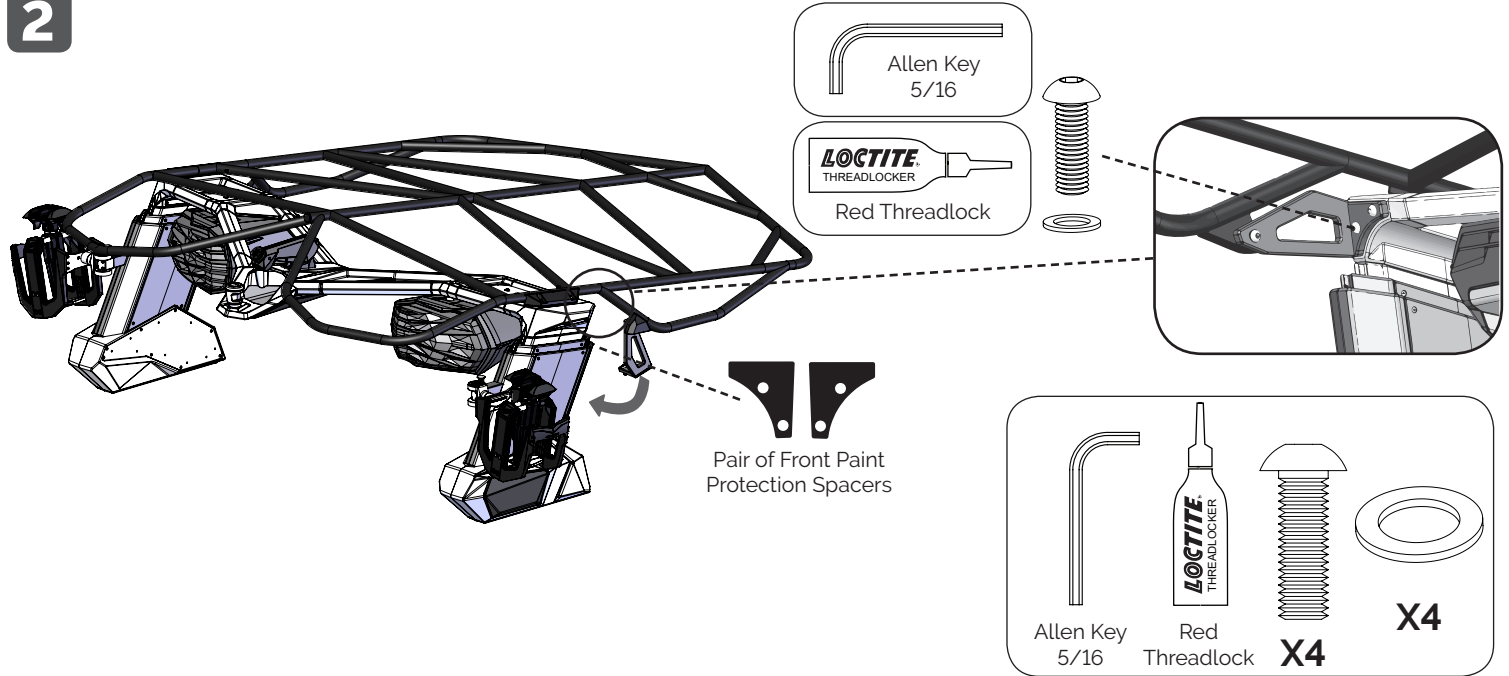


1



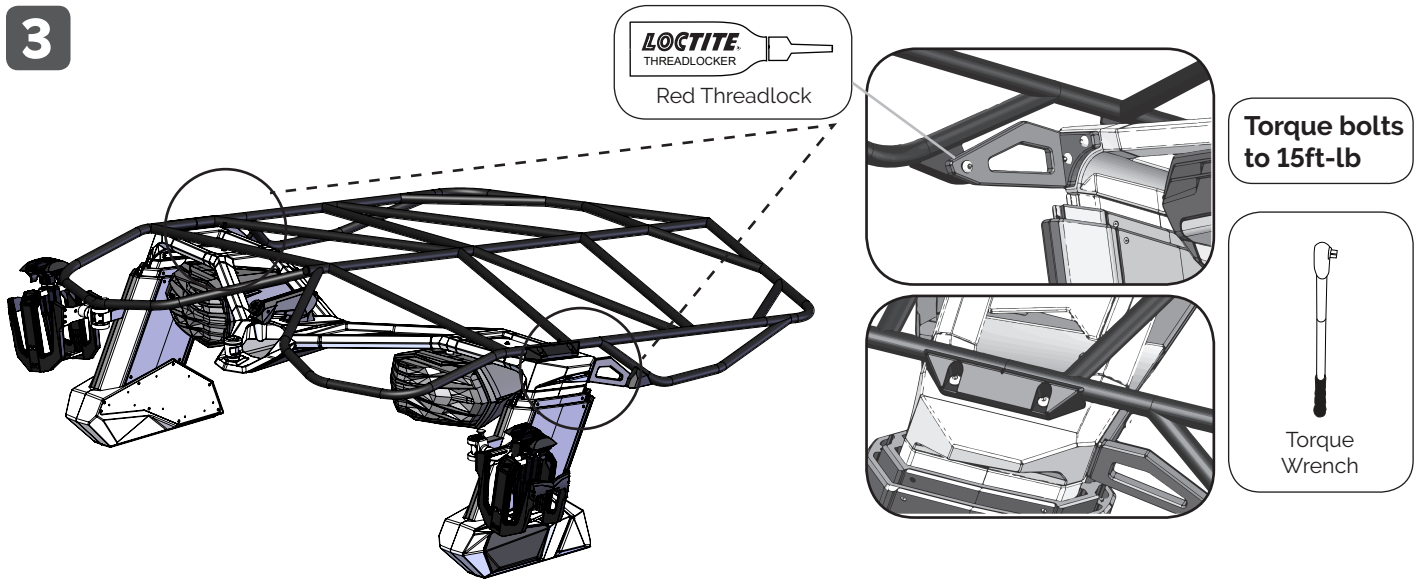
1. Start by putting the top paint protection spacers on the top of the tower.
2. Rotate the front arms down. Then take the bimini and rest it on top of the tower.
3. Take the 1/2-13 bolts slide the paint protection washers on the bolts, then apply red threadlocker.
4. Next install the 4 bolts. Do not fully tighten them yet.

2



1. Rotate both side arms and install the front paint protection spacers.
3. Take the 1/2-13 bolts slide the paint protection washers on the bolts, then apply red threadlocker.
4. Next install the 4 bolts. Do not fully tighten them yet.

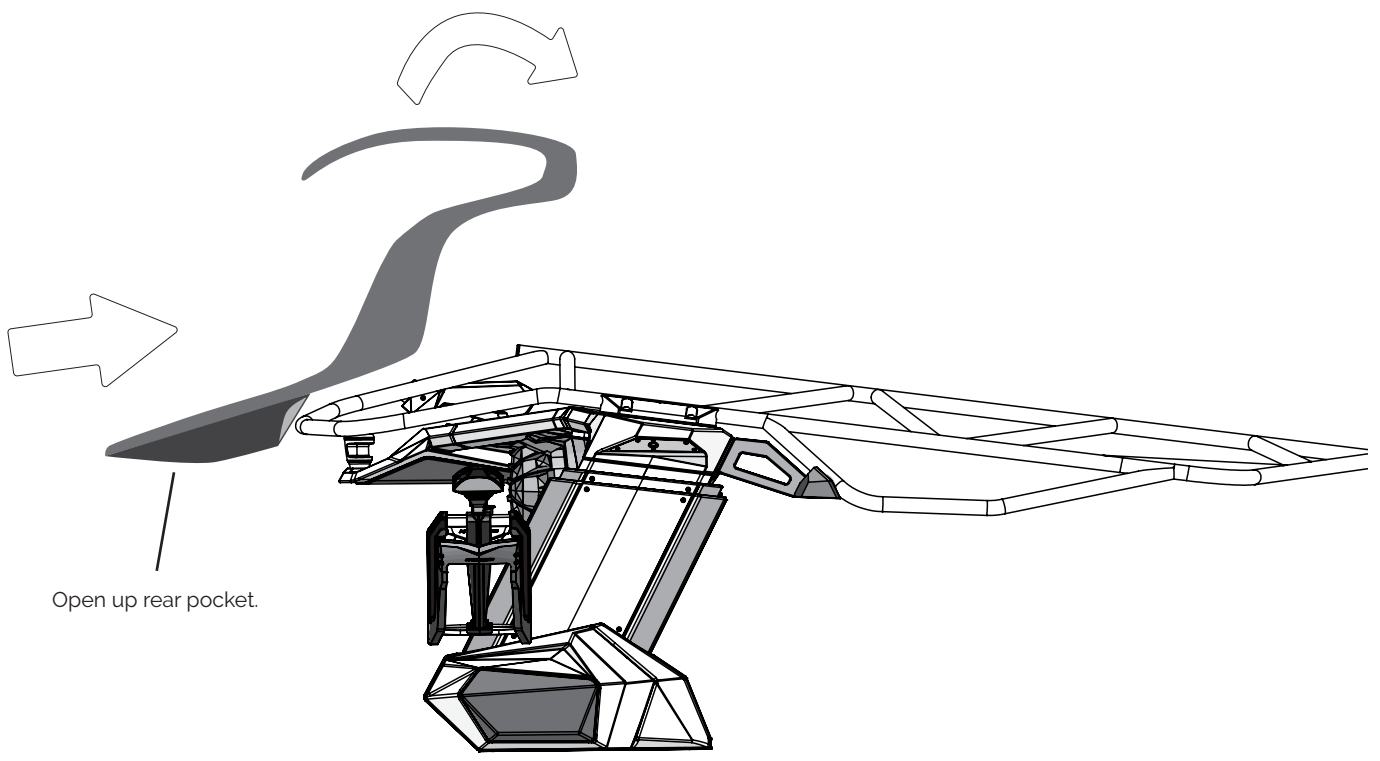
3



1. Apply Threadlocker to the front arm bolt attached to the bimini.
2. Now that the bimini frame is installed torque all 10 bolts to 15lbs.

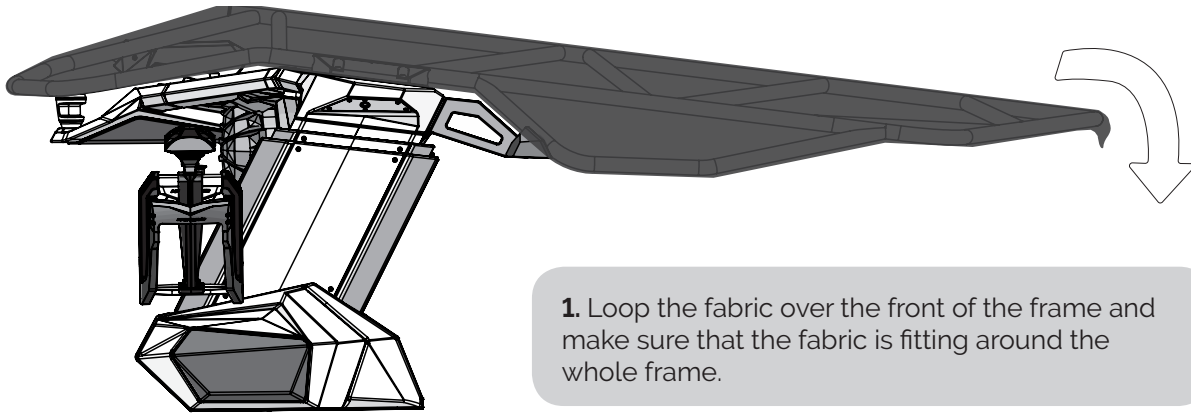
Bimini Fabric Install

1



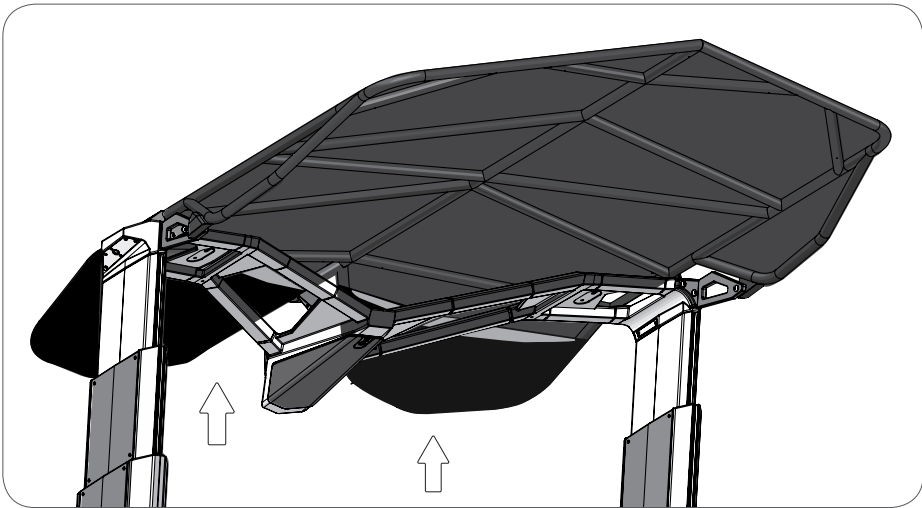
1. Open up the rear pockets on the bimini fabric and slide the fabric over the rear of the bimini frame.
2. Take the fabric and pull over the frame towards the front of the bimini.

2



1. Loop the fabric over the front of the frame and make sure that the fabric is fitting around the whole frame.

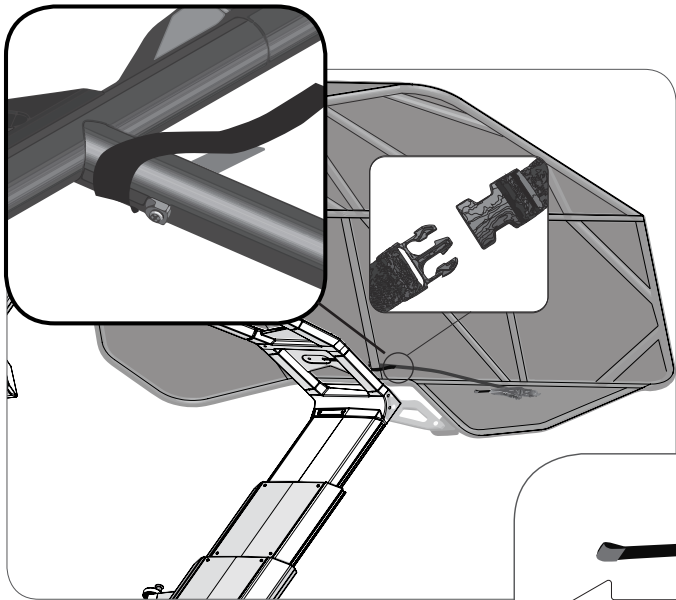
3



1. Close the rear pockets by pressing the Velcro strips between the canvas and flaps together.

Note: If you are traveling at high speeds the rear pockets can open. Close the pockets before use.

4

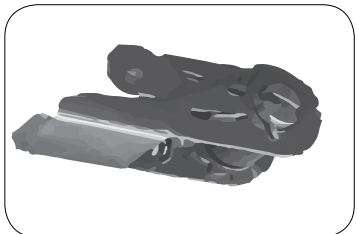
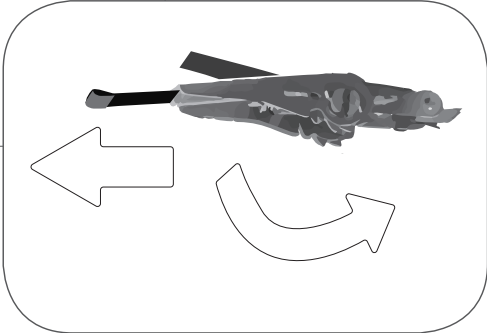


1. Loop the strap around the bar with the stopper. Make sure that the strap is on the outboard side of the stopper on the port and starboard side.

2. Take the buckle and connect it on both port and starboard sides.

3. Now take the loop hanging out from the ratchet strap and pull it tight then operate the ratchet to tighten the bimini canvas on both sides.

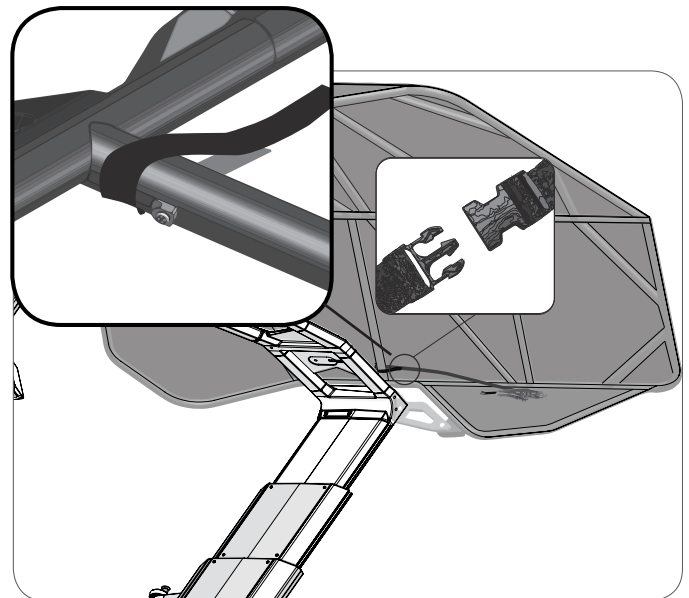
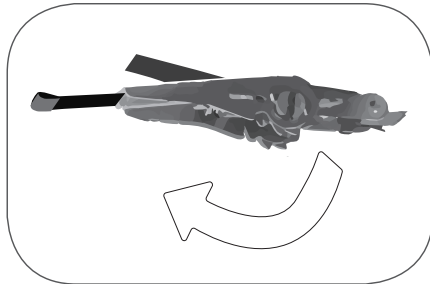
4. Now that the bimini is tight close the vecro flaps around the ratchet.



Bimini Fabric Removal

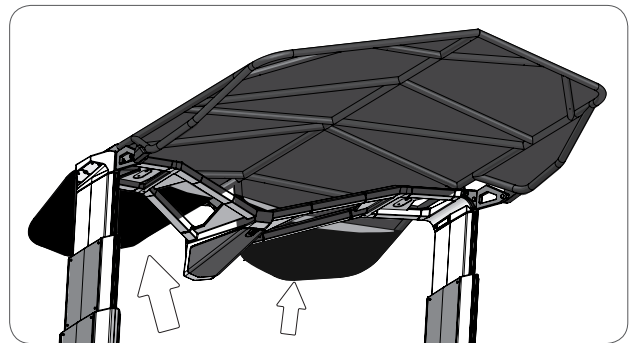
1

1. Open the velcro flaps around the ratchet. Release the ratchet by depressing the center latch and opening it all the way.
2. Disconnect the buckles around the bimini frame.

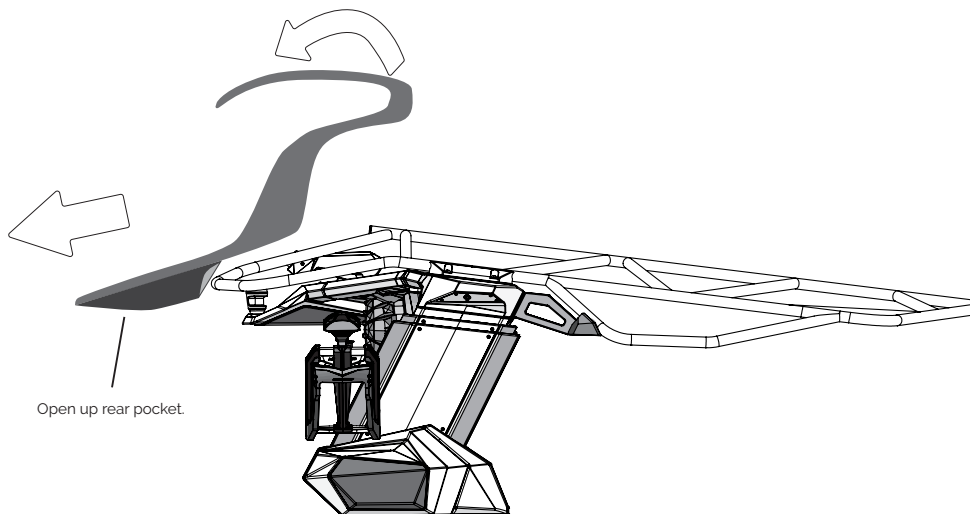


2

1. Open the rear pockets of the bimini fabric

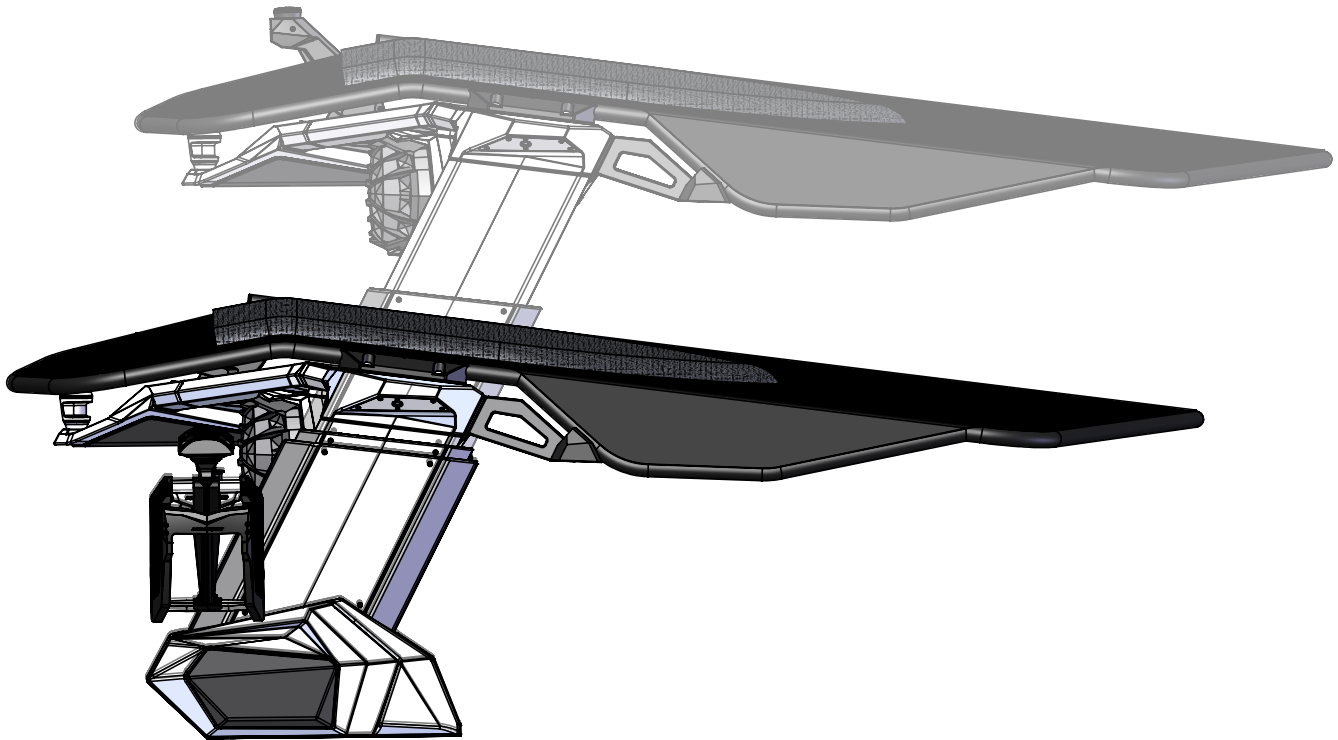


3



1. Now that the rear pocket is open remove the bimini fabric.

Using Your Tower



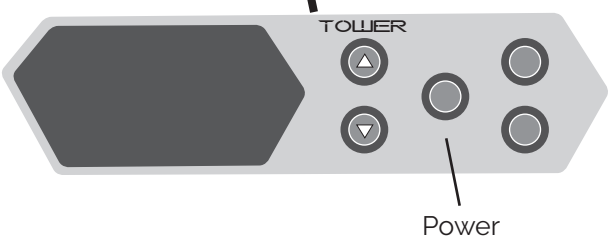
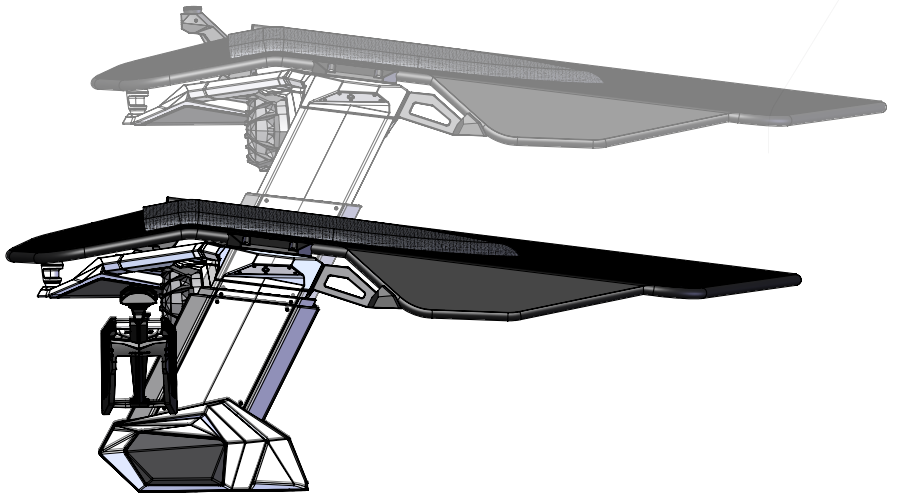
⚠ ATTENTION ⚠

Read & follow these instructions carefully. Failure to do so may result in damage to parts. Damage to parts from improper use is not covered under warranty.

Towing Riders

DO NOT TOW A RIDER WITH THE TOWER IN ANY OTHER POSITION THAN FULLY EXTENDED OR RETRACTED.

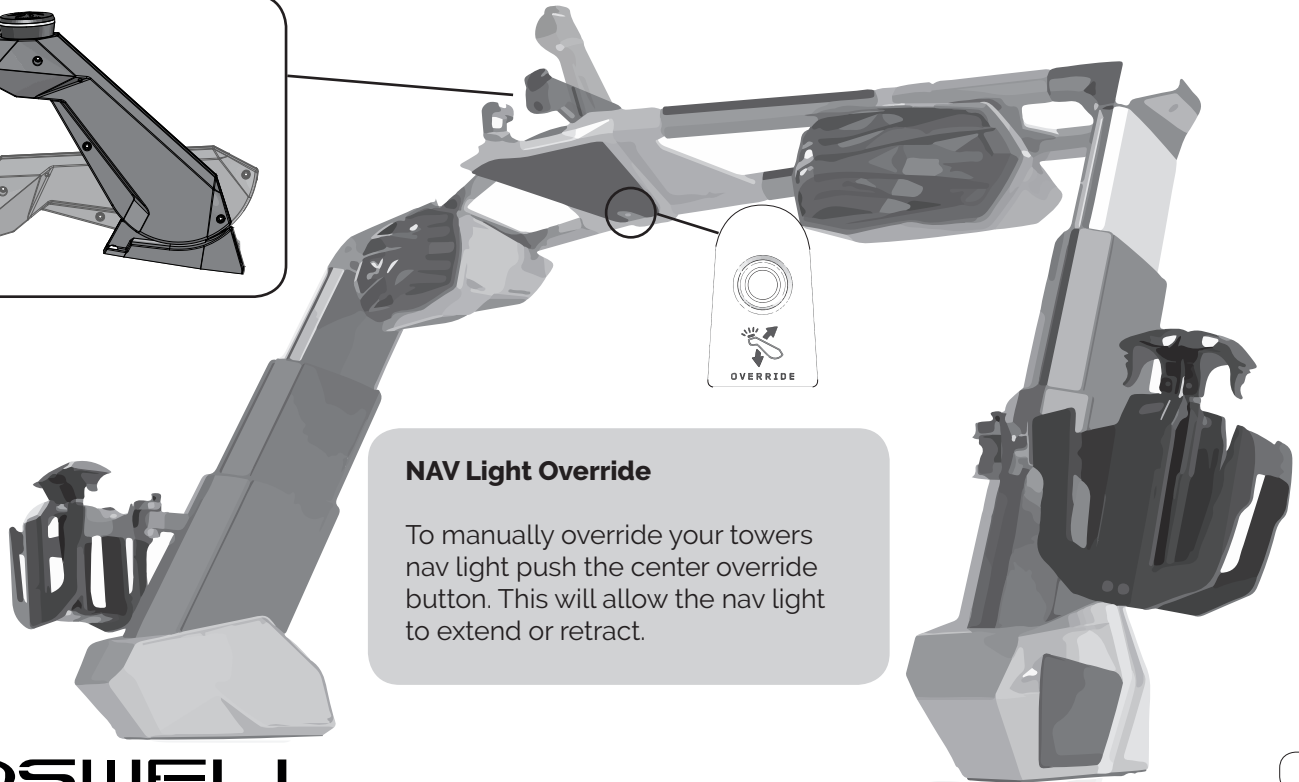
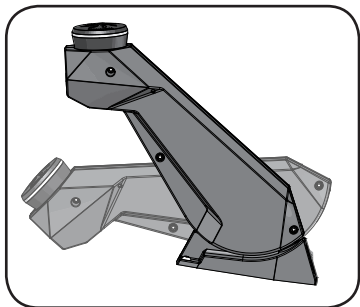
Tower Operation



Tower Operation

To raise or lower your tower start by pressing and holding the center button to give power to the tower. Then using the up and down switches on the left press the button corresponding to the action desired.

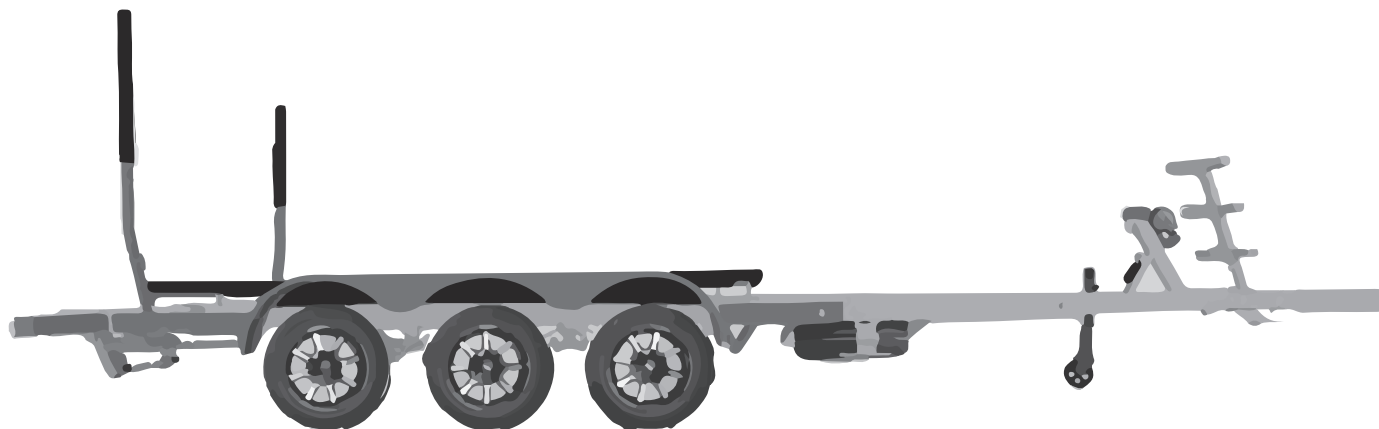
IF AT ANY TIME YOUR TOWER DOES NOT RAISE EQUALLY OR CONSISTENTLY STOP IMMEDIATELY AND CONSULT THE TROUBLE SHOOTING SECTION IN THIS MANUAL. FAILURE TO DO SO CAN CAUSE DAMAGE TO YOUR TOWER.



NAV Light Override

To manually override your towers nav light push the center override button. This will allow the nav light to extend or retract.

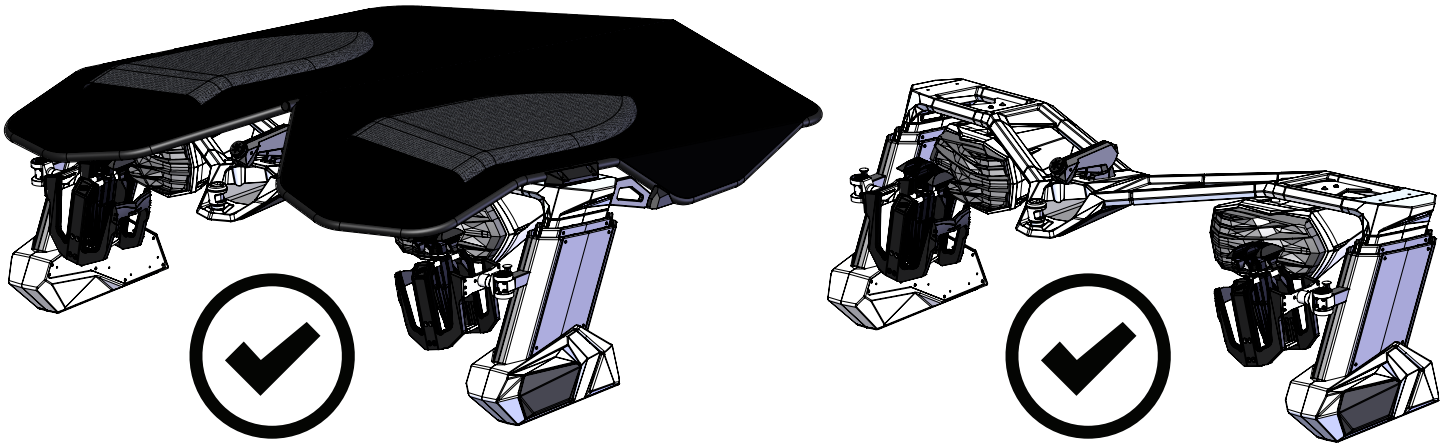
Safe Trailering



⚠ ATTENTION ⚠

When Trailering make sure your tower is in its fully retracted position. The P-Series tower can be trailered with the bimini fabric installed. Always check your clearance when going under bridges or any other low obstacles as the tower is the highest point of contact.

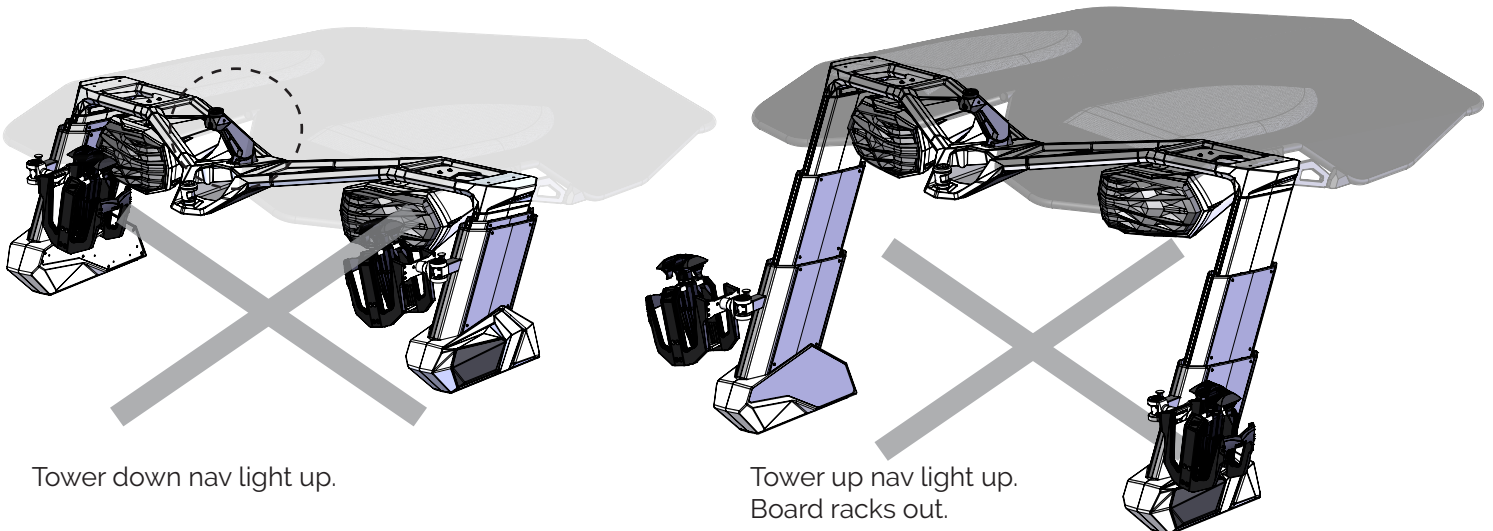
Correct Trailering or Storage



Checklist:

- ✓ If trailering with the bimini fabric deployed, check that the fabric is securely fastened.
- ✓ Make sure that your tower is fully retracted and the navigation light is also in its down position.
- ✓ Make sure your board racks are swiveled inboard when trailering.
- ✓ Remove all boards from the top surf pockets

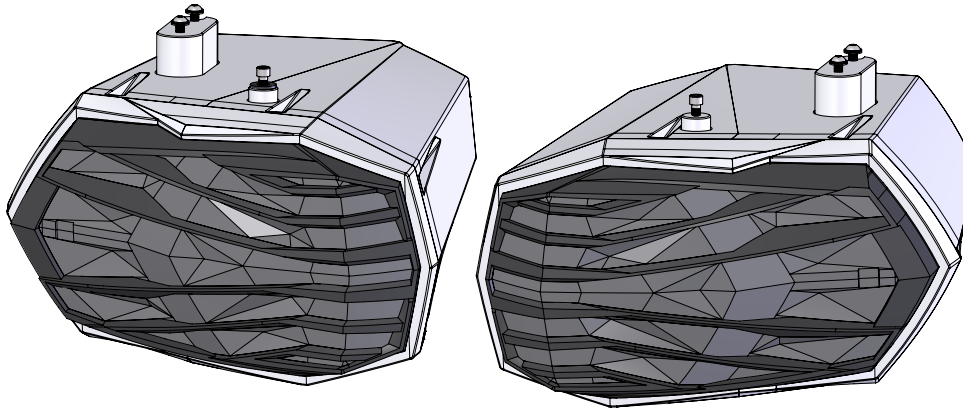
Incorrect Trailering or Storage



Tower down nav light up.

Tower up nav light up.
Board racks out.

Speaker Housings



Tower Speakers # C817-200154

⚠ ATTENTION ⚠

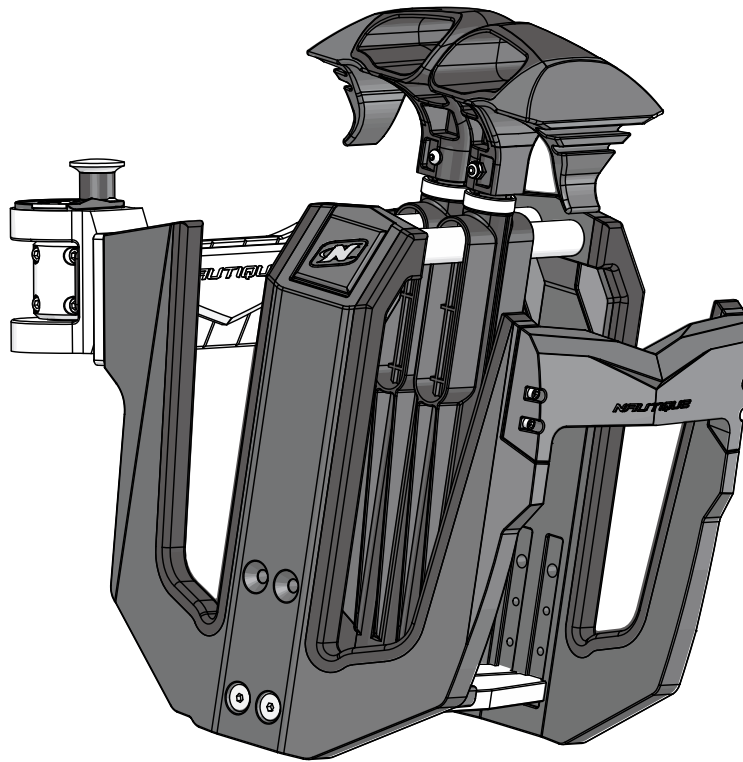
- Bolts and screws tend to rattle loose over time due to the vibrations and shaking that your boat experiences while on the water or in transit. Always verify your speakers are securely fastened by checking speakers bolts for tightness before using your boat. If any bolts are found to be loose remove them, apply red threadlock and re-tighten the bolts.
- Never hang off of the speaker under any circumstance.
- Be mindful of the head clearance to prevent unnecessary head injuries.
- Be aware of your tow rope being sure not to get it wrapped around the speaker or any other objects.

USE AND CARE

When cleaning, avoid hosing down the housing directly and do not use harsh cleaners as they could damage the finish. Simply wiping the housing down with a damp cloth should be sufficient to ensure years of enjoyment.

Covering your speaker housing with after-market fabric covers during transit or storage can save you a lot of time cleaning and also protect your housing from damage.

Board Rack Instructions



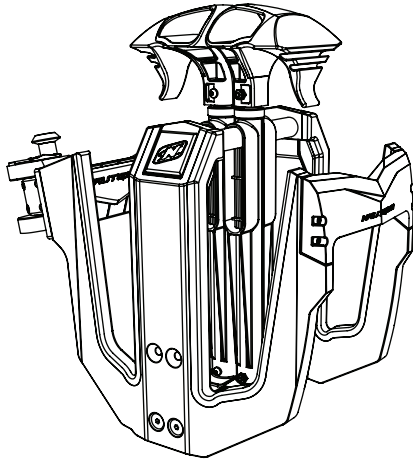
Nautique Triton V2# C917-180045

⚠ ATTENTION ⚠

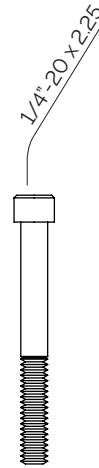
- Always ensure your boards are securely fastened in place by the rack. Give the board a quick tug to check it is secure before setting off.
- **Always ensure your swivel is properly locked before moving your boat.** Give the rack a tug and visually check locking pin to make sure it is secure after you have put the swivel in a new position.
- Never insert boards that are beyond the stated maximums and minimums for the rack:
·20" maximum for the narrow board setting and 23" maximum for the wide board setting.
·14" minimum for the narrow board setting and 17" minimum for the wide board setting.
- Always swivel your racks inboard when docking and/or trailering your boat.
- Never trailer your boat with boards in the racks. Racks are for on water use only.
- Check all bolts on the rack and swivel for tightness before using your boat. If any bolts are found to be loose remove them, apply red thread lock and re-tighten the bolts.
- The driver should check their lines of sight before operating the boat being sure nothing in the rack blocks their safe view and operation of the boat.
- Be aware of your rope making sure it does not get wrapped around the board rack, the boards, or any other objects.
- Anti-seize/ lubrication can help you pin and swivel to operate smoothly.

Roswell strongly recommends that a routine inspection of hardware and components be done to ensure proper function and safety and to maximize product life. If bolts are found to be loose, discontinue use until thread lock is re-applied and bolts are re-tightened.

Package Contents



X2 Nautique Triton V2 Clamping Board Racks with Swivels



X8

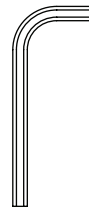
Tools Required



Torque Wrench



Red Threadlock

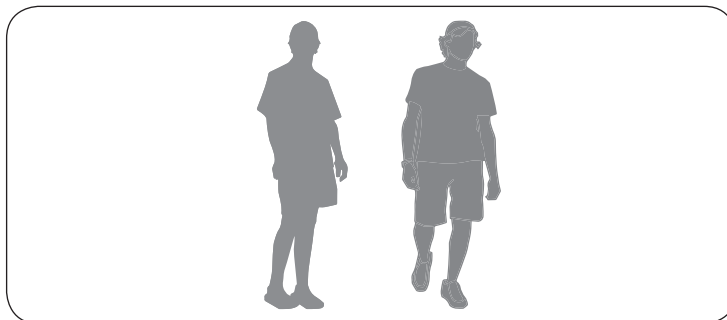


Allen Key 3/16"

Preparation

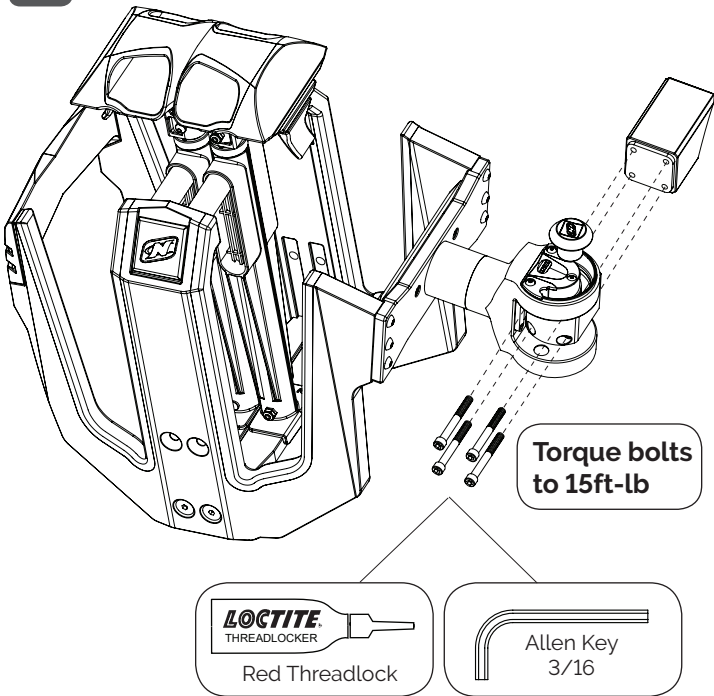
Lay down a drop cloth close to the area that you are planning on working. Then remove the board racks and hardware and place on the drop cloth. This will protect your board racks. Make sure that you have the correct tools for the installation of these racks.

Two Person Job



Installation

1



Allen Key 3/16 Torque Wrench Red Threadlock

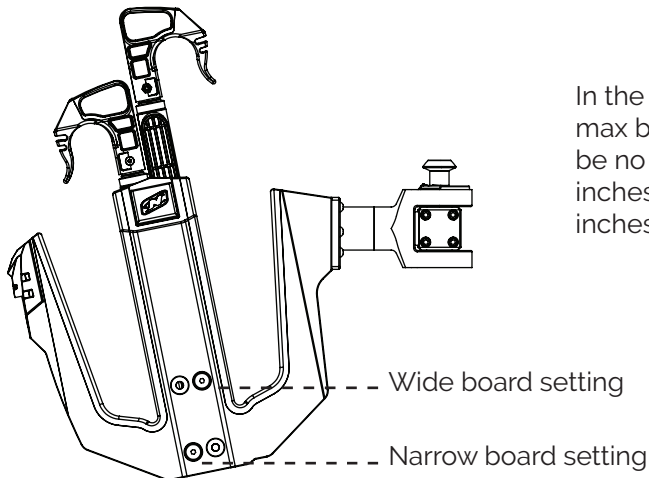
Two Person Job

Carefully remove your Nautique Triton V2 racks from the packaging. Mount one to each swivel block on either side of your tower using the hardware provided. The racks are not side specific. Apply red thread lock to all 8 bolts first.

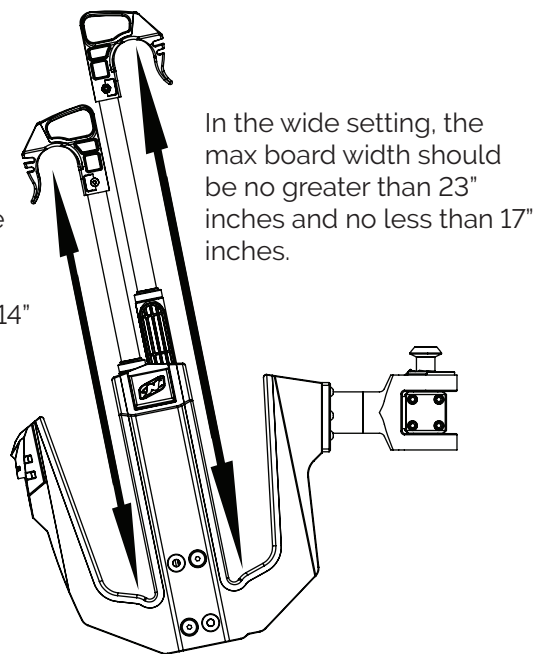
Using Your Board Rack

1

Your Triton rack is designed to be adjustable to fit just about any size of wakeboard, wakesurfer or wakeskate. There are 2 settings, one for narrower boards, one for wider boards.

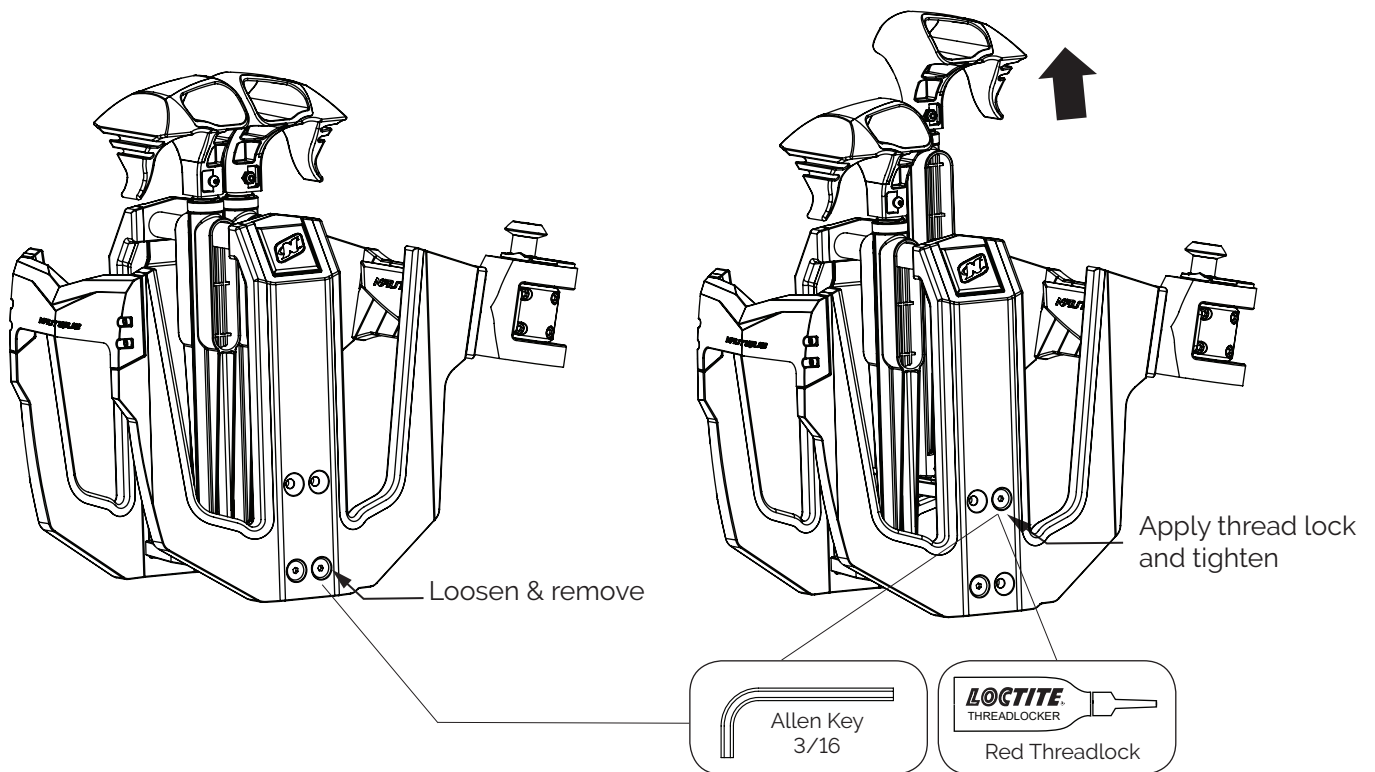


In the narrow setting, the max board width should be no greater than 20" inches and no less than 14" inches.



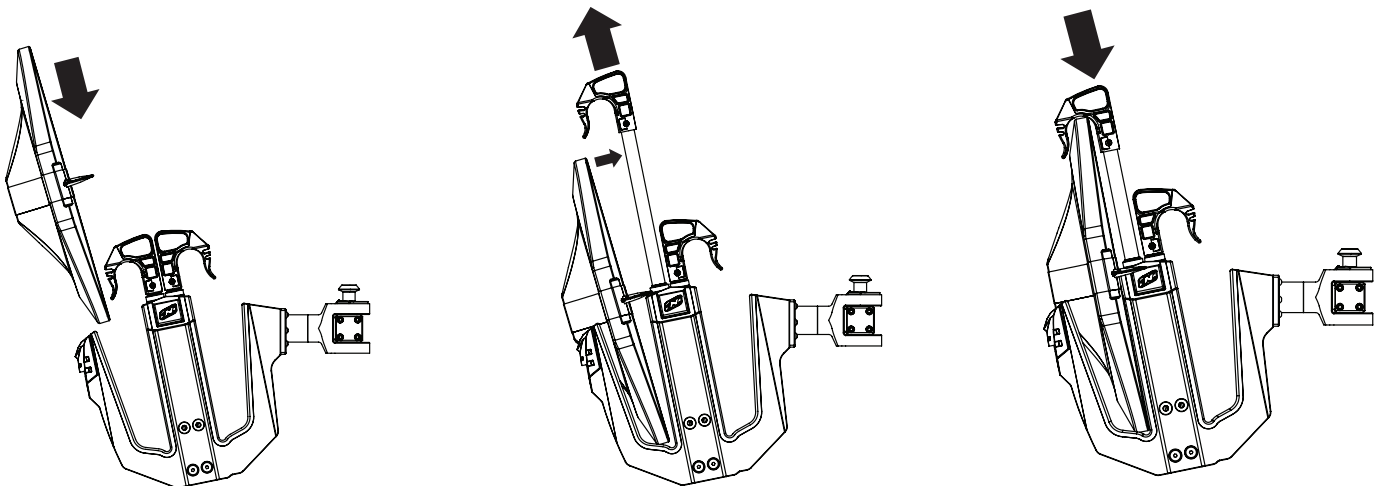
In the wide setting, the max board width should be no greater than 23" inches and no less than 17" inches.

2



Adjust your telescopic arms one at a time. To adjust your telescopic arms loosen and remove the bolt on each side of the rack for the same arm. Do not remove all 4 bolts at the same time. Slide the whole arm assembly up or down to the next position. Re-apply red thread lock to the bolts and tighten.

Inserting Boards



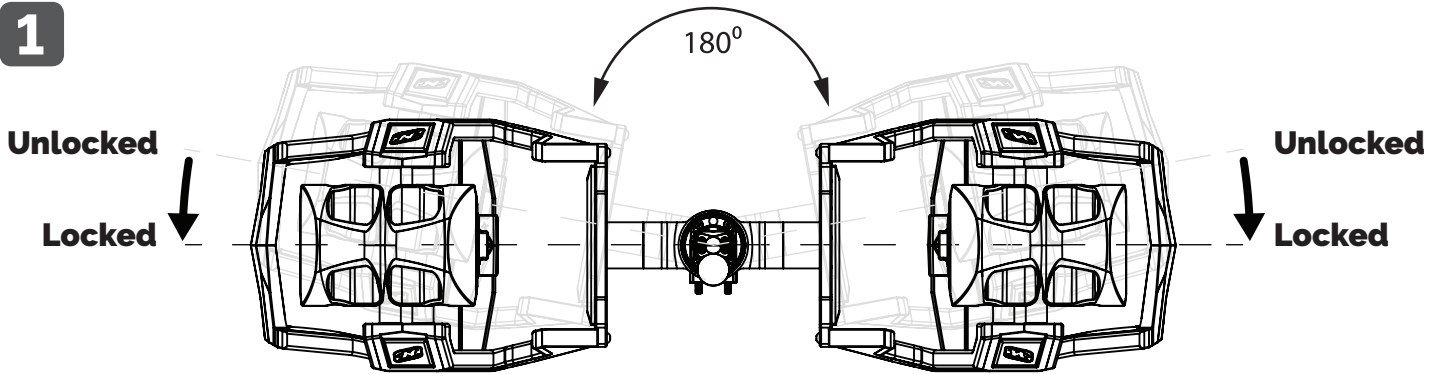
1. Slide your board into one of the Triton rack slots.

2. Pull up on the telescopic arm and flip your board towards it.

3. Let the telescopic arm clamp down over your board. To remove a board, repeat steps 1-3 in reverse

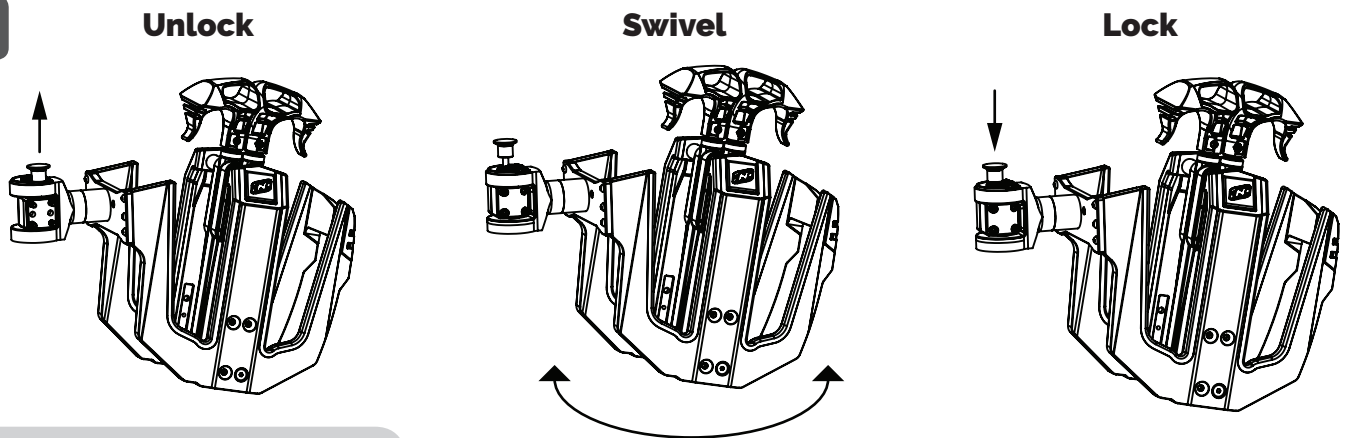
Swivel Operation

1



Swivel assemblies must be completely locked to avoid damage to boat or injury to occupants. Proper swivel operation is crucial to ensure racks do not swing into boat unintentionally. To ensure proper engagement and releasing of locking pin, swing racks until they compress the rubber bumper at end of travel. Once this is accomplished the locking pin will be drawn down automatically leaving no gap between pin handle and swivel. Compressing the bumper is necessary to lock AND unlock the locking pin.

2

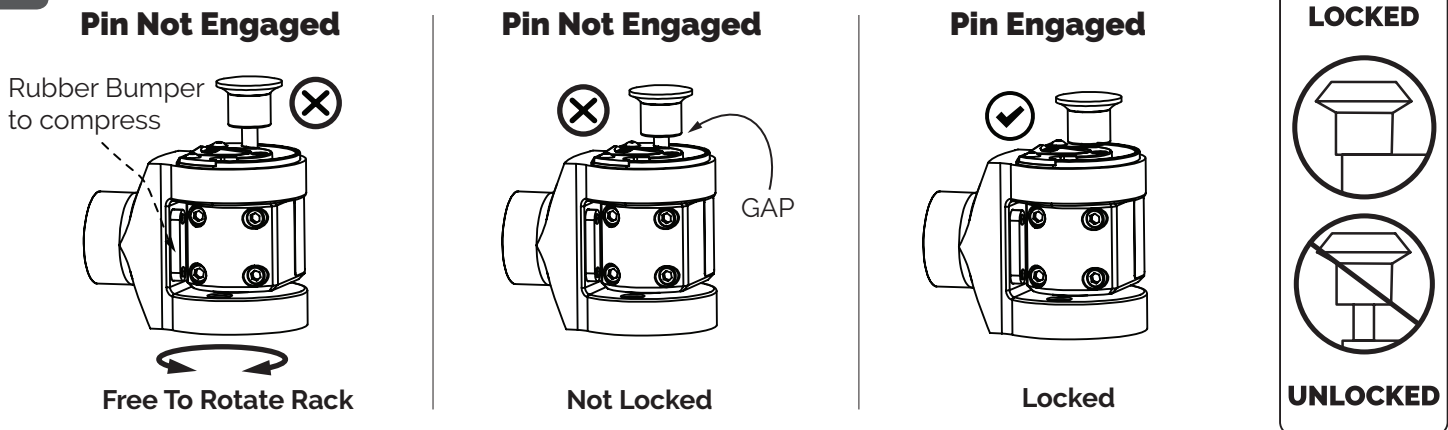


1. Push rack to compress rubber and lift pin up to unlock and then swivel.

2. Rotate Rack 180° to second position.

3. Push rack to compress rubber and the pin will drop in lock hole.

3



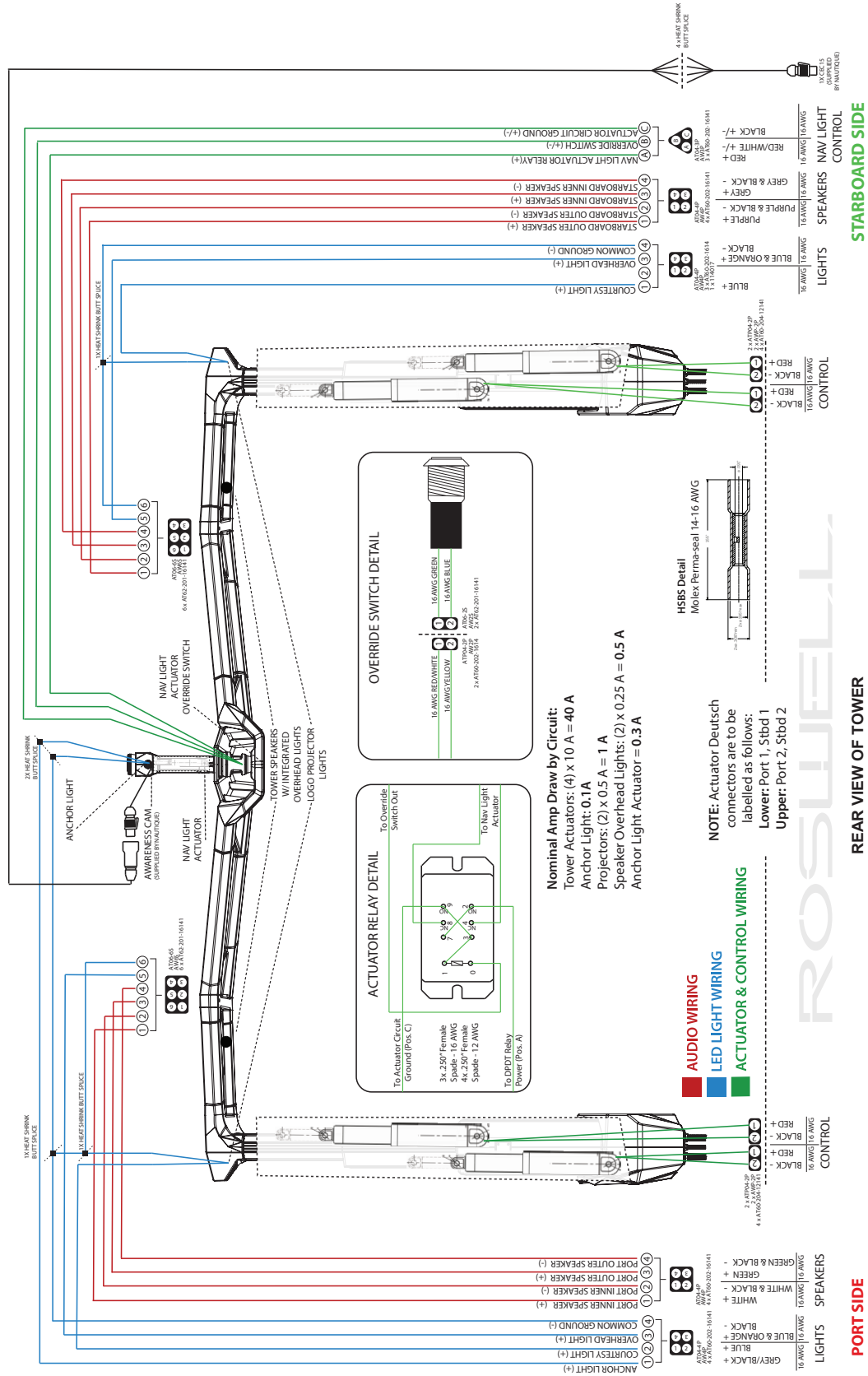
Wiring Diagrams



NAUTIQUE®

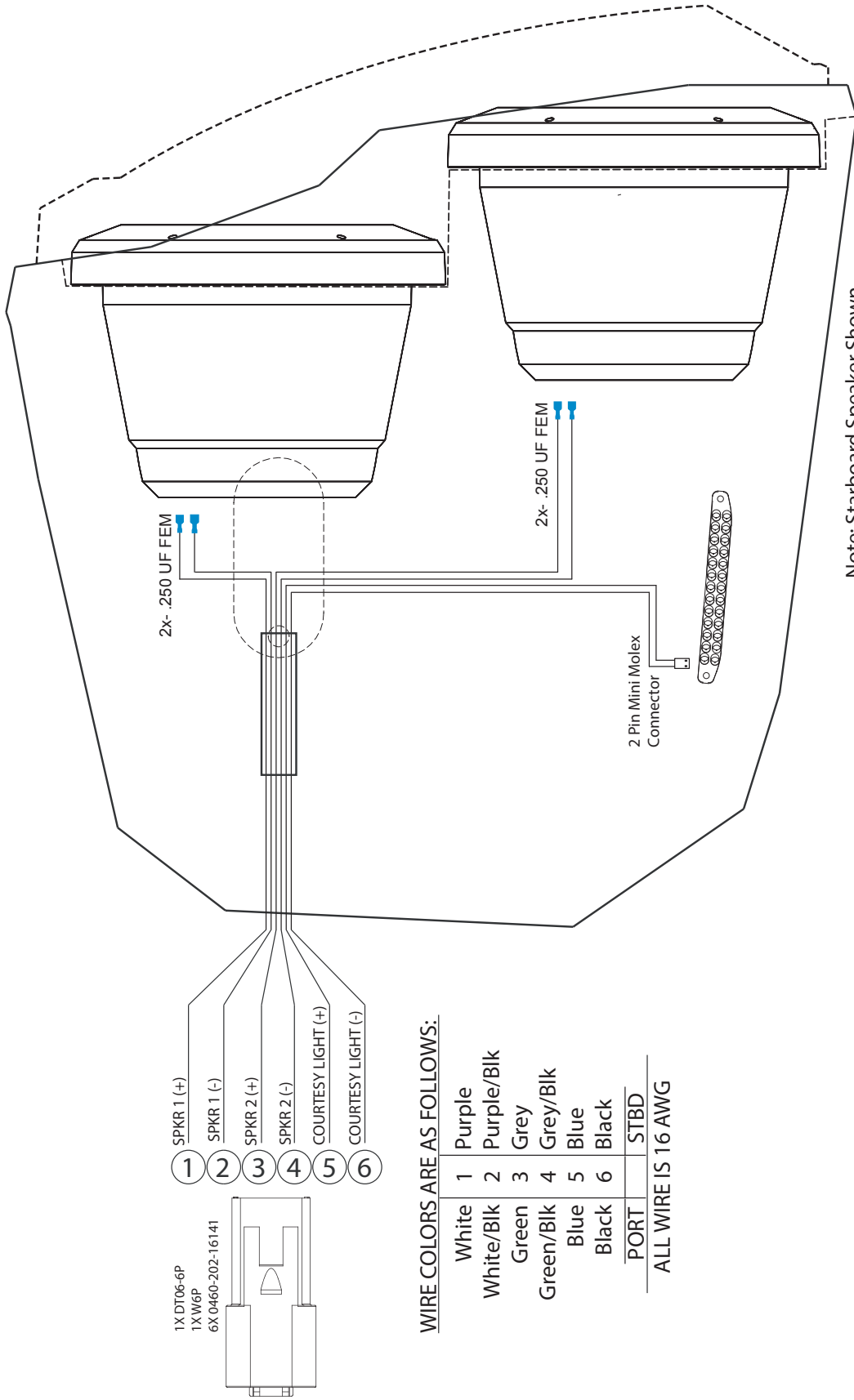
TELESCOPING FLIGHT CONTROL TOWER WIRING DIAGRAM

REV. 0 191023 CB



MALTIQUE®

TELESCOPING FLIGHT CONTROL TOWER SPEAKER WIRING DIAGRAM



1X DT06-6P
1X W6P
6X 0460-202-16141

- 1 SPKR 1 (+)
- 2 SPKR 1 (-)
- 3 SPKR 2 (+)
- 4 SPKR 2 (-)
- 5 COURTESY LIGHT (+)
- 6 COURTESY LIGHT (-)

WIRE COLORS ARE AS FOLLOWS:

White	1	Purple
White/Blk	2	Purple/Blk
Green	3	Grey
Green/Blk	4	Grey/Blk
Blue	5	Blue
Black	6	Black
PORT		STBD
ALL WIRE IS 16 AWG		

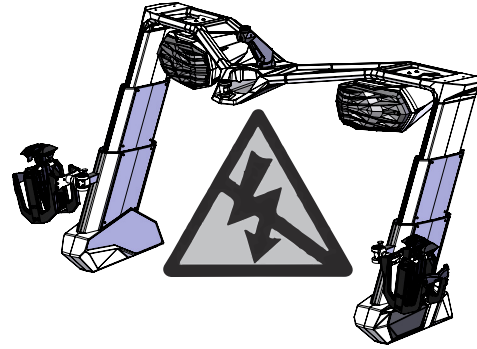
Note: Starboard Speaker Shown

ROSWELL

Tower Trouble Shooting

Power Loss.

1. If there is a power loss, reset your tower by lowering it to its down position. If at anytime the tower does not lower equally or correctly stop and precede to (Tower fails to raise equally).
2. If the tower raises equally resume the normal operation of your tower.



Tower Fails to Raise Equally.

1. Start by checking that your boats batteries are charged and there is nothing obstructing the towers motion then proceed to step 2.
2. Now that there is a good charge in the battery lower the tower to its fully down position to re set the tower. Then resume normal operation of your tower.

IF ANY PART OF THE TOWER IS NOT WORKING CORRECTLY EITHER RAISING OR LOWERING IT STOP AND CALL 1-321-638-1331 for further trouble shooting.

