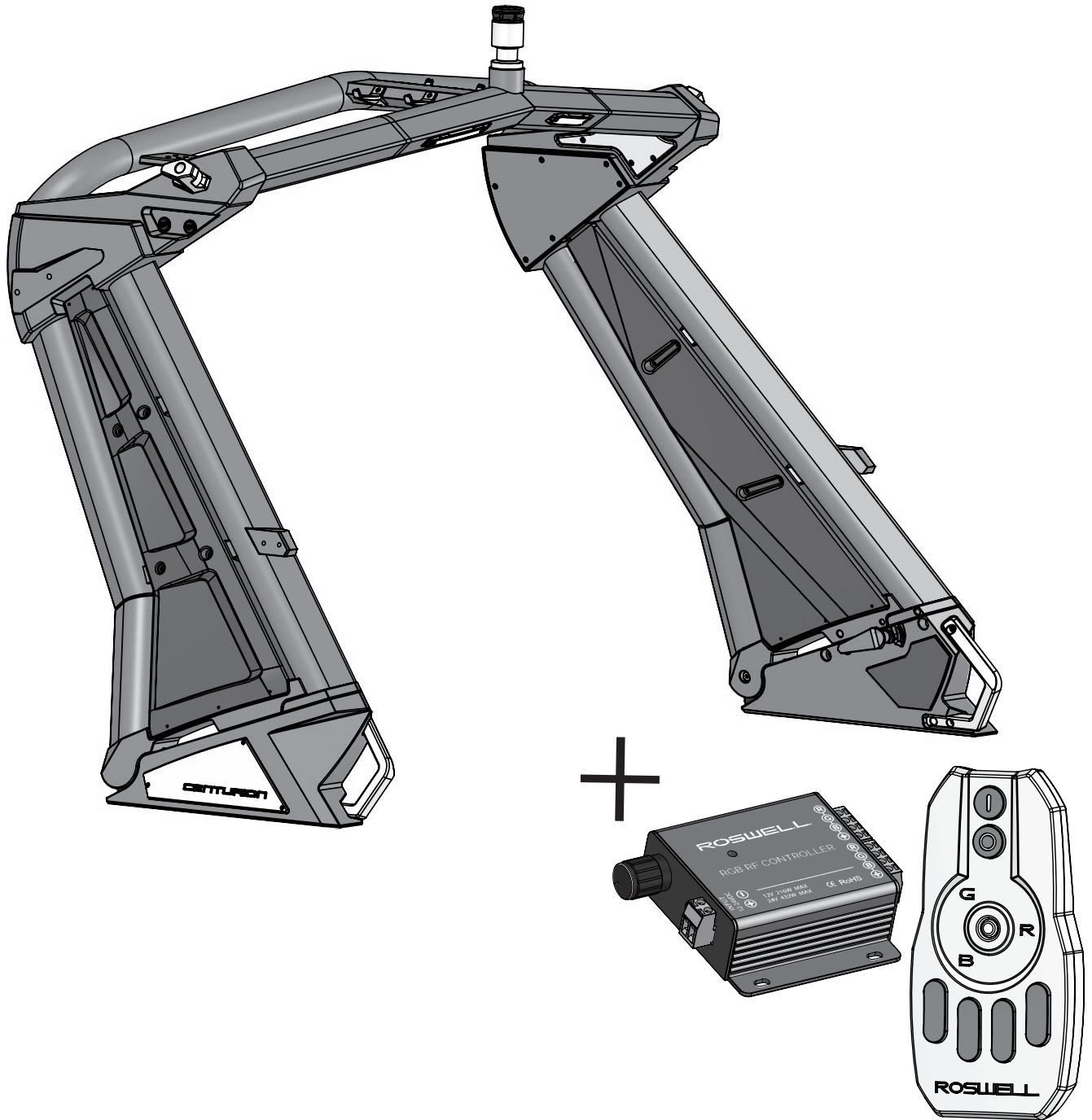


# ROSWELL



## DZAT TOWER RGB INSTALLATION

**RGB Controller#** C920-1620

**Information:** [info@roswellmarine.com](mailto:info@roswellmarine.com)  
**Warranty:** [warranty@roswellmarine.com](mailto:warranty@roswellmarine.com)

If you have any questions please call : 1-321-638-1331  
[www.roswellmarine.com](http://www.roswellmarine.com)



# ROSWELL.

Welcome to the Family.

We at Roswell started a revolution in the wakeboard industry back in 1998, and have since expanded into marine audio and other branches of the marine industry. Even now, over 20 years later, we continue to push the boundaries.

We are fully committed to going past industry expectations every day to make your boating experience more enjoyable. With the input of our dealers, team riders, and boaters around the world, our goal remains to redefine the marine industry day in and day out. We will not be confined to our desks; we are out on the water testing our full line of products to ensure your days on the water are as hassle-free and enjoyable as possible.

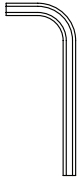
If you have any questions about your speakers or questions regarding installation, please contact your authorized Roswell dealer. If you have further questions, please don't hesitate to contact us directly at (321)-638-1331 or by emailing [info@roswellmarine.com](mailto:info@roswellmarine.com).

---

## TABLE OF CONTENTS

Preparation.....	<b>03</b>
Installation.....	<b>04-05</b>
<b><u>Trouble shooting</u></b>	
Wiring Diagram .....	<b>06</b>

# Tools Required



Allen Key  
1/8



Wire Strippers



Blue  
Threadlocker



Electrical tape



Flat terminal  
screwdriver



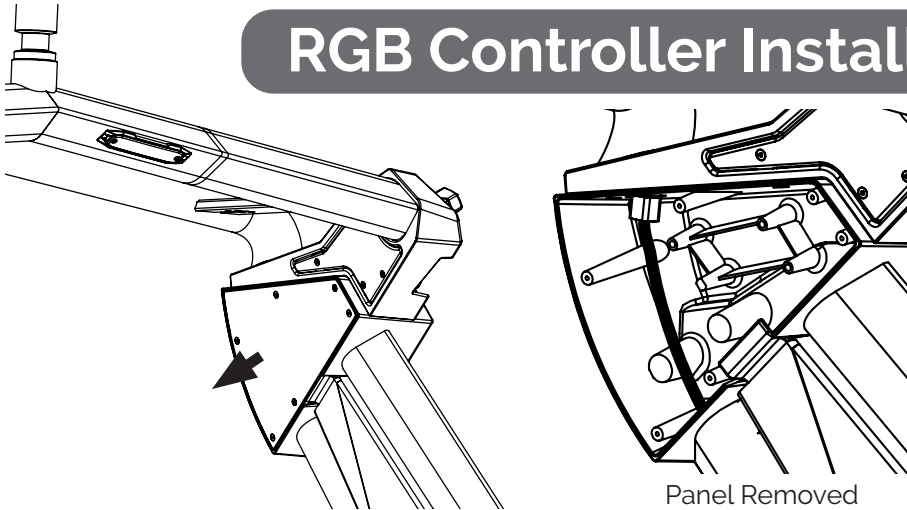
Side cutters

## IMPORTANT

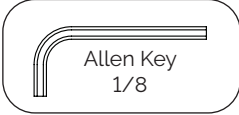
Disconnect the battery before beginning any work on the electrical system.

# RGB Controller Installation

1

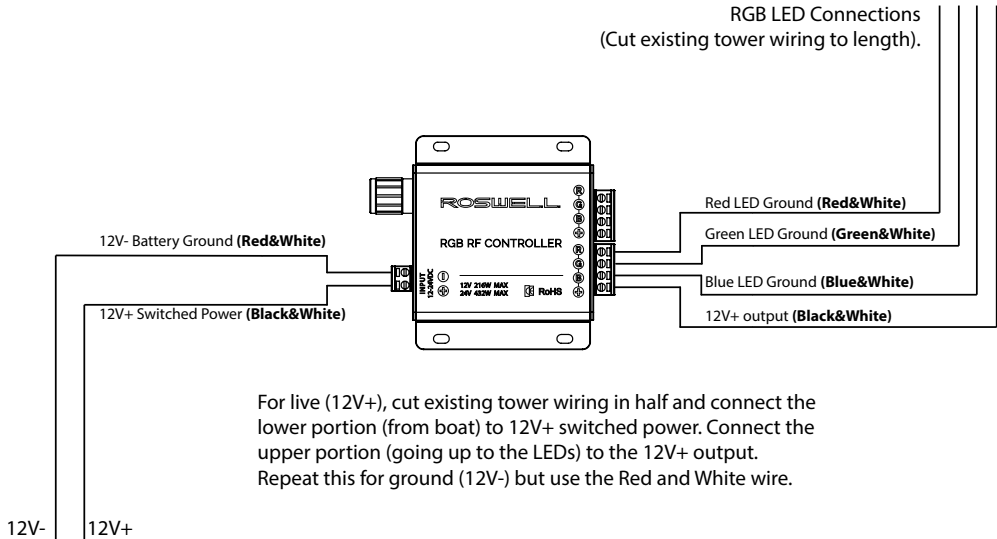


Remove the allen head bolts and open the starboard access panel as shown.



Panel Removed

2



For live (12V+), cut existing tower wiring in half and connect the lower portion (from boat) to 12V+ switched power. Connect the upper portion (going up to the LEDs) to the 12V+ output. Repeat this for ground (12V-) but use the Red and White wire.

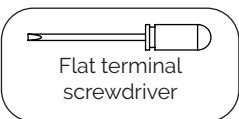
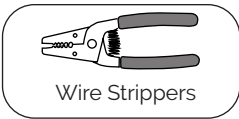
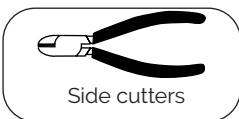
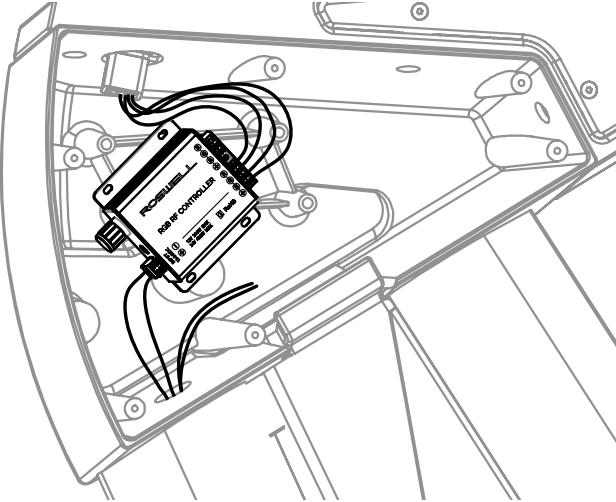
Cut the black and white (12V+) wire and strip the two ends about 1/8in. Connect to the RGB controller as shown above.

Next cut the red and white (12V-) wire and strip the two ends about 1/8in. Connect to the RGB controller as shown above.

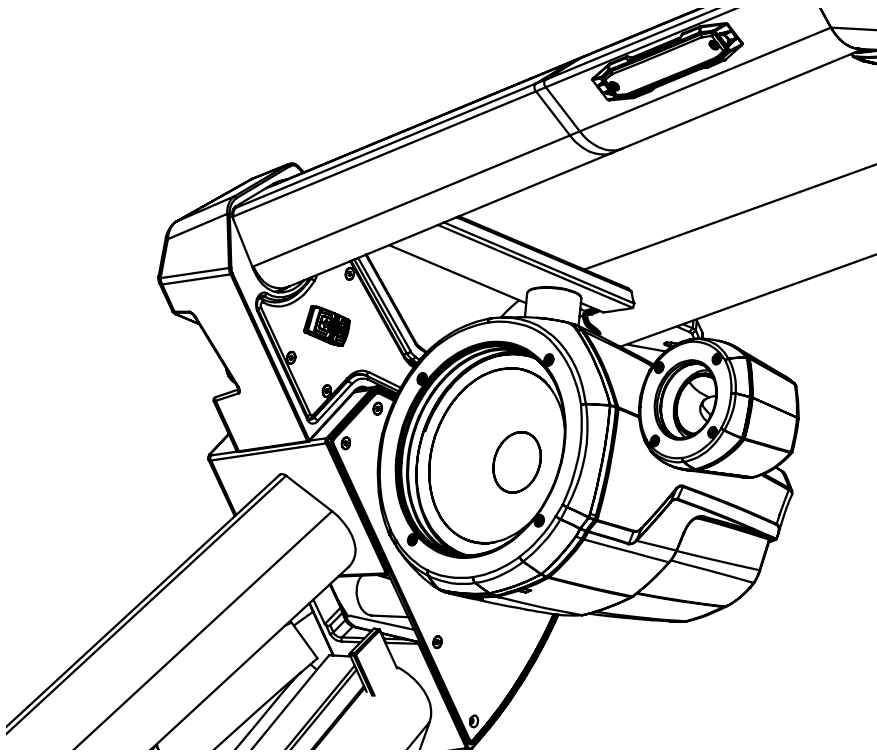
Cut the green & white (GREEN LED) and blue & white (BLUE LED) wires. Strip the ends of the portion that continues up into the top of the tower and connect to the RGB controller as shown. Tape the loose ends coming up from the boat.

Place the RGB controller into the panel.

NOTE: The tower wiring diagram can be found on page 6.



3



R1 Pro speaker C920-1910 with Spark adapter C813-2052

Using the existing tower wiring, connect your RGB speaker and check that all the colours are working. If everything is working reinstall the access panel with blue threadlocker, if not check that the RGB controller connections are solid and that the colours are correct.

