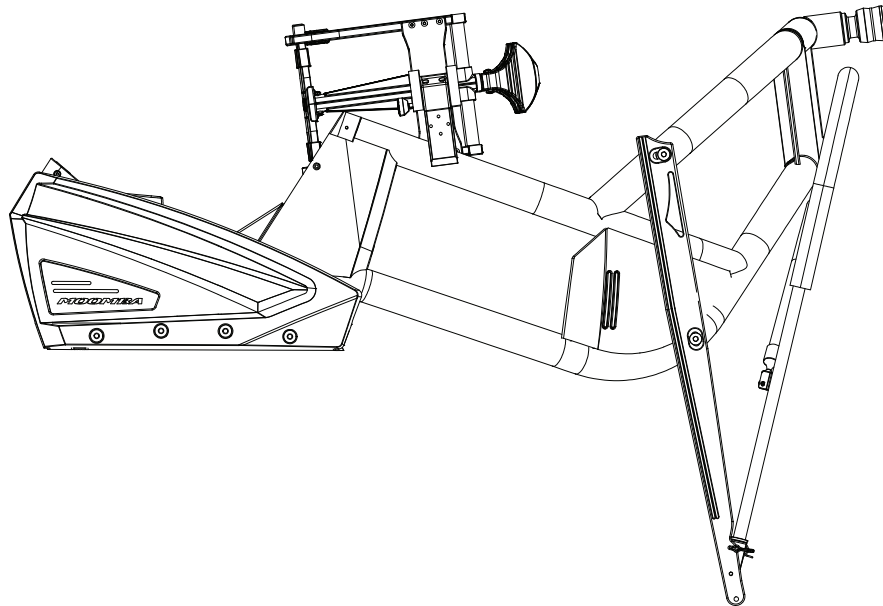


! ATTENTION !

If you are experiencing your Moomba Pro bimini arm coming in contact with your upholstery or throttle in your boat, this bulletin will walk you through the steps to fix this issue.

Tools Required



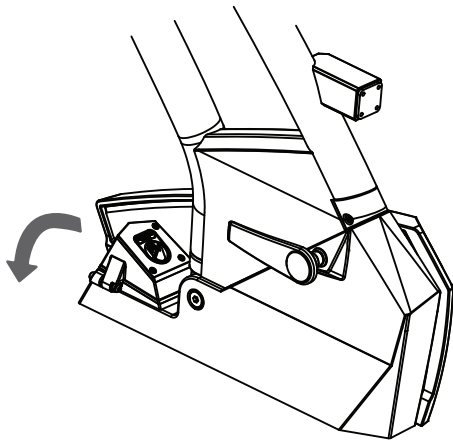
MOOMBA PRO

Information: info@roswellmarine.com
Warranty: warranty@roswellmarine.com

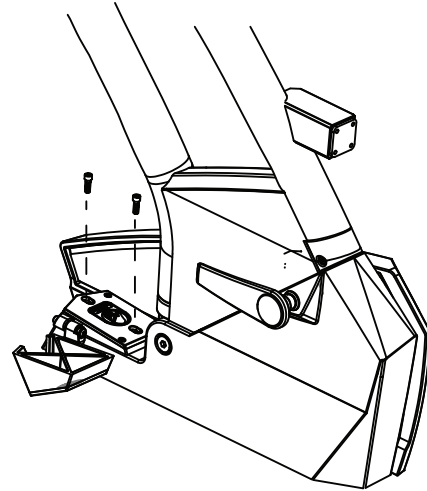
If you have any questions please call : 1-321-638-1331



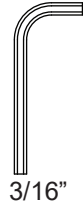
A



Step 1
Flip the tower block out of the way.

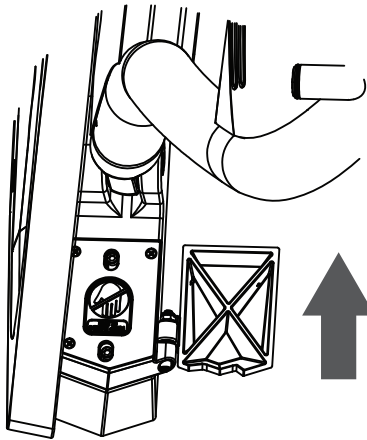


Step 2
Remove the two bolts securing the tower block with your 3/16" Allen key as shown above.

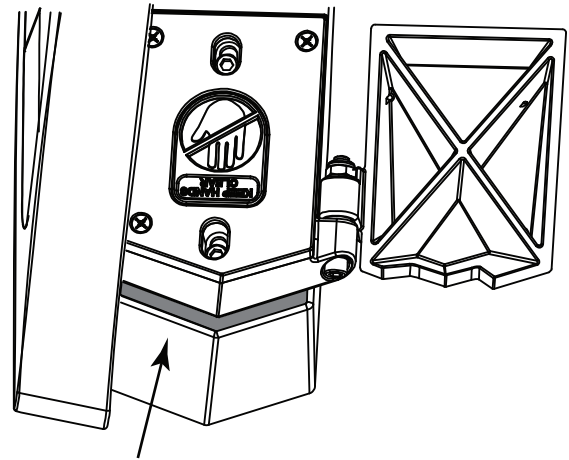


3/16"

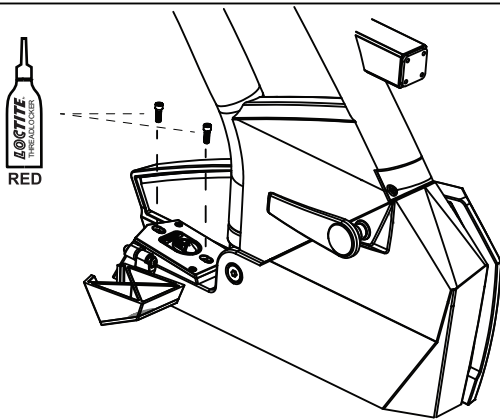
B



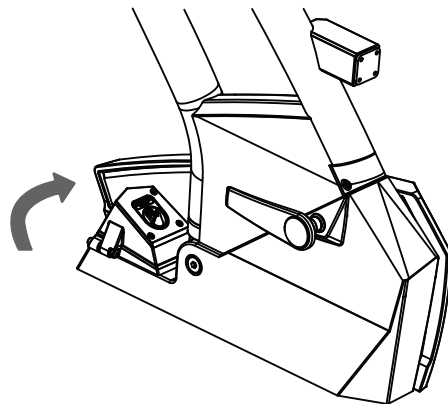
Step 3
Slide the tower block back so that the bolts will fit in the rear of the slotted hole. You will now have a gap in the leading edge area as shown above in the grey area.



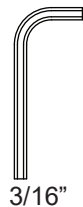
C



Step 4
Apply red threadlocker to the two bolts and tighten down with your 3/16" Allen key.



Step 5
Flip the tower block back up and your tower will not fold as low.



3/16"