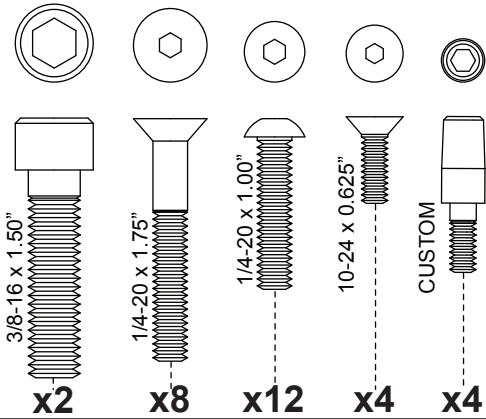


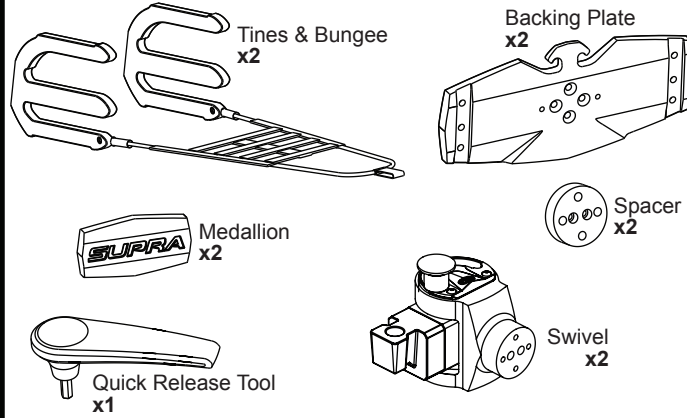
SUPRA

PRO EDGE & S Bend Swiveling Tower Racks: Assembly Instructions

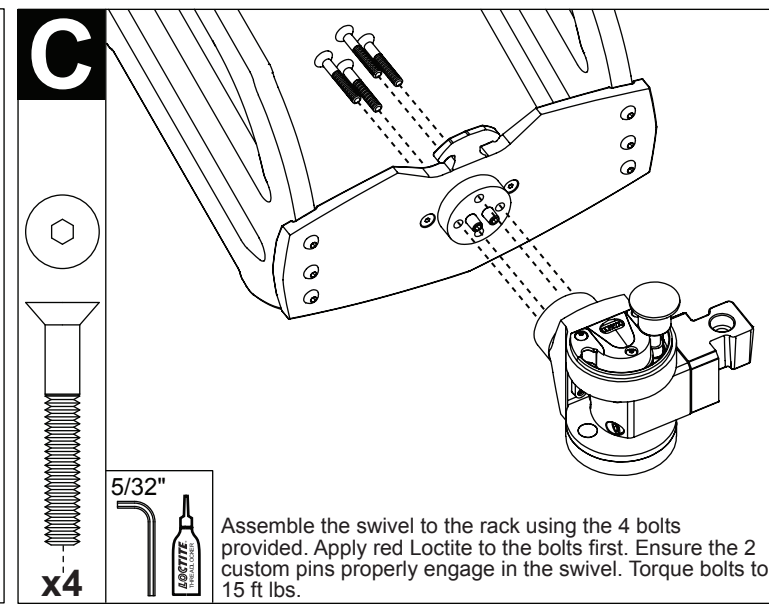
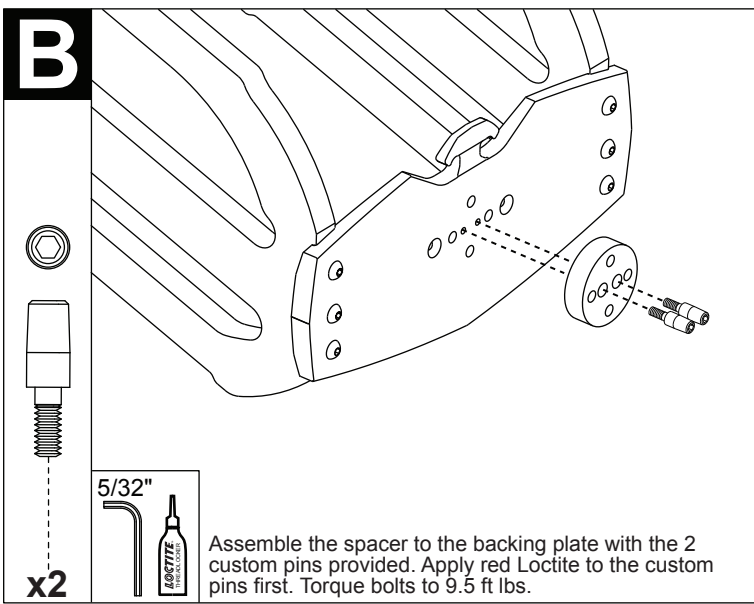
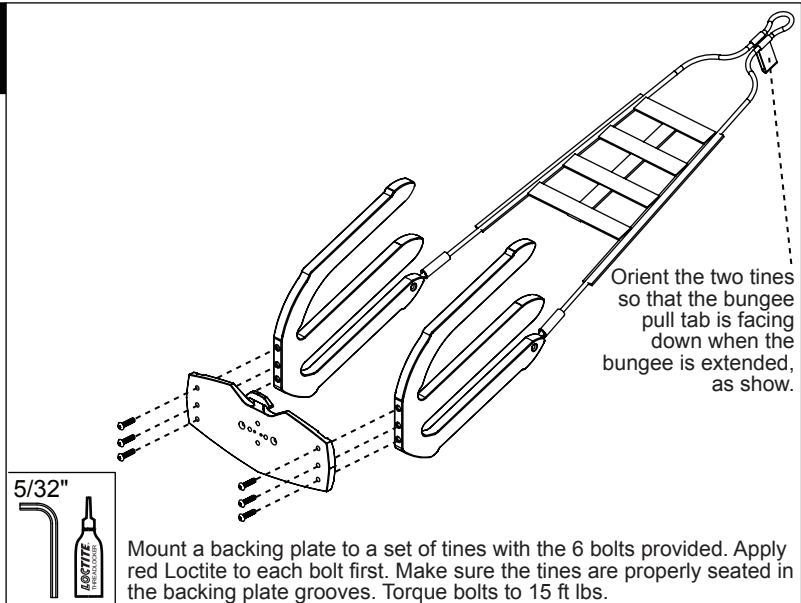
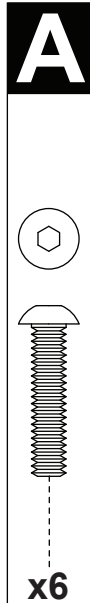
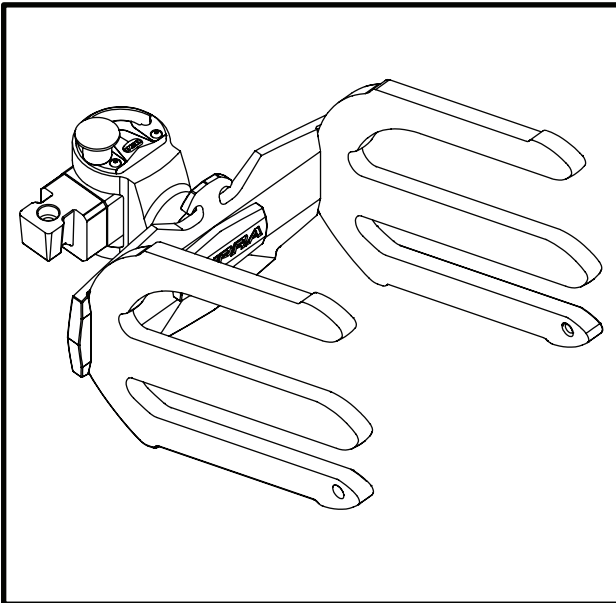
Hardware

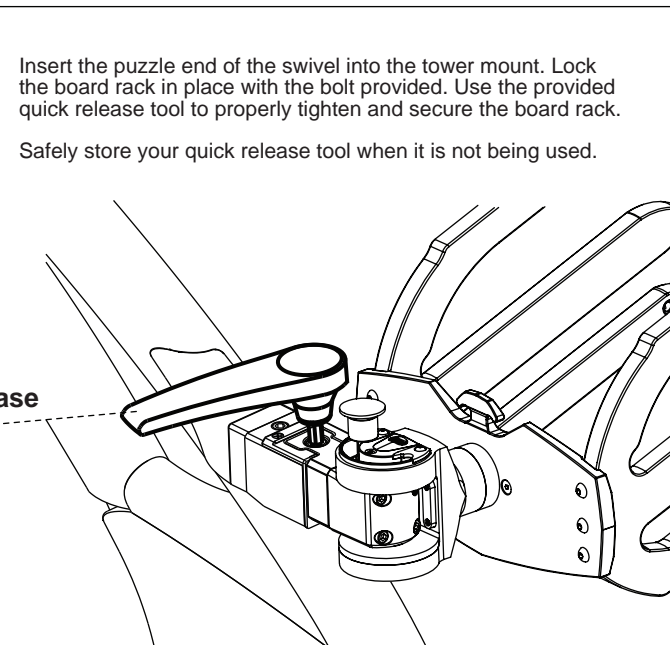
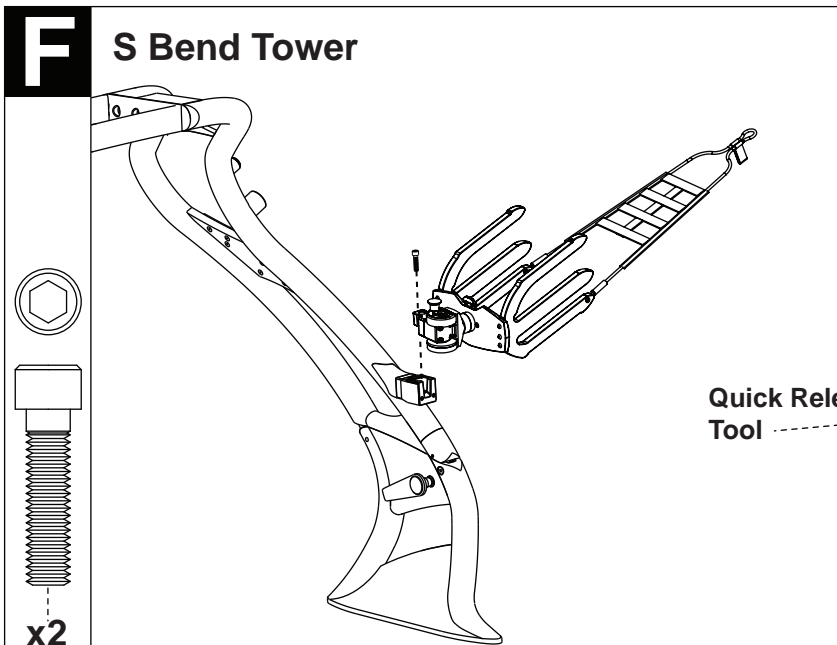
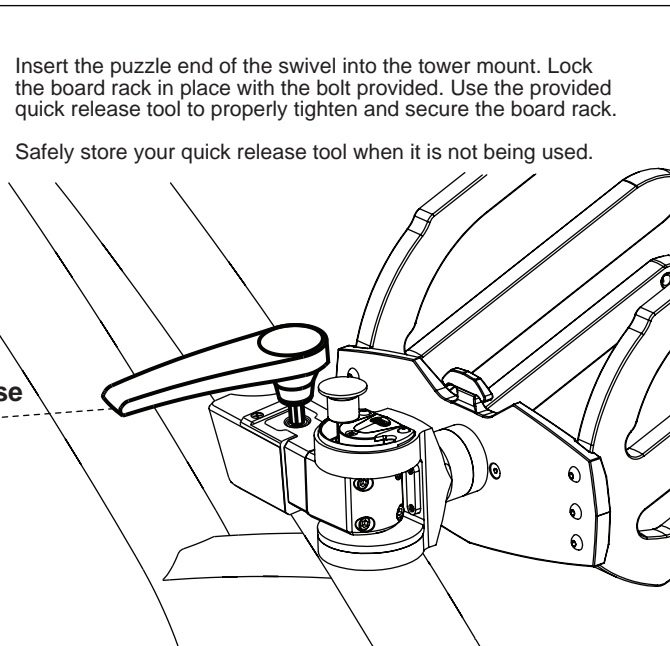
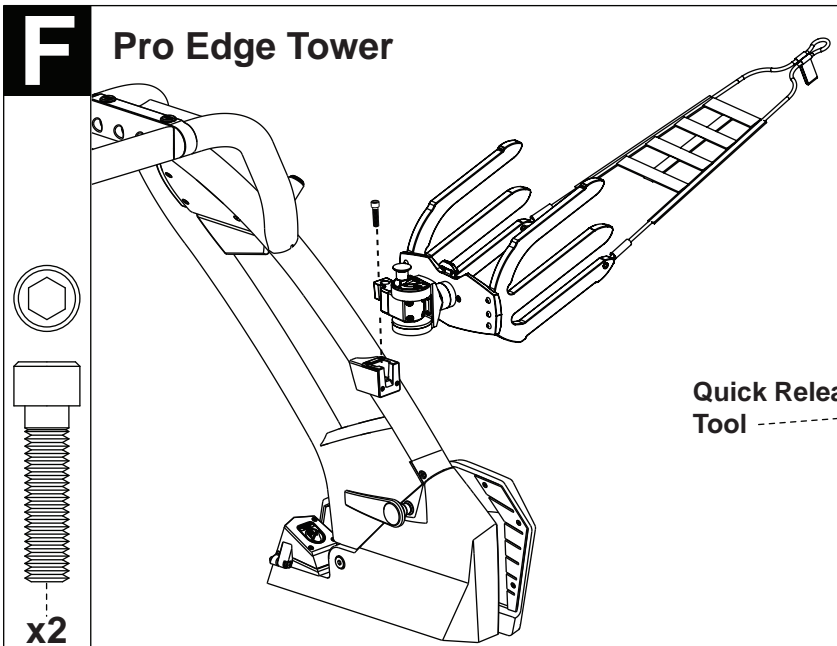
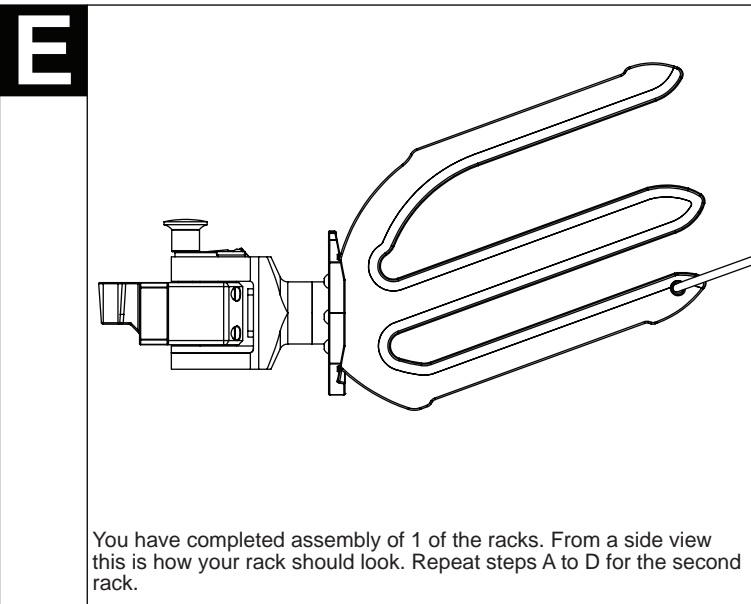
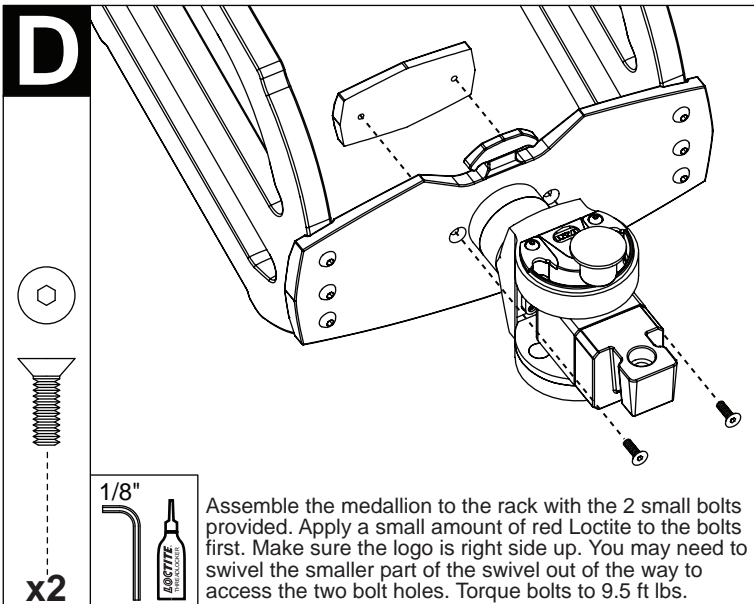


Parts



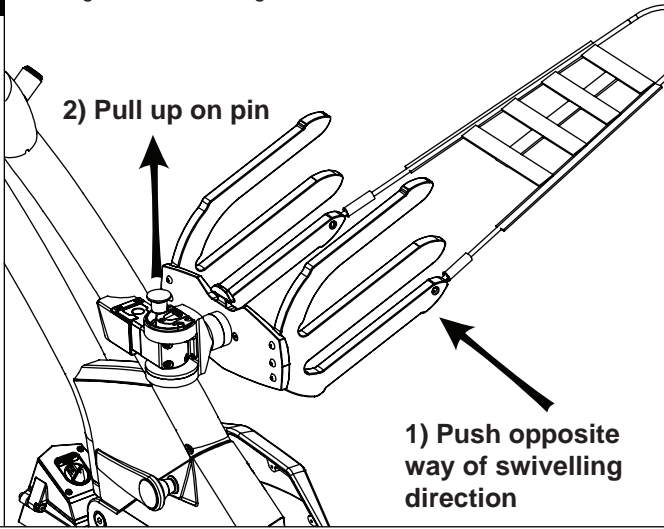
Tools Required



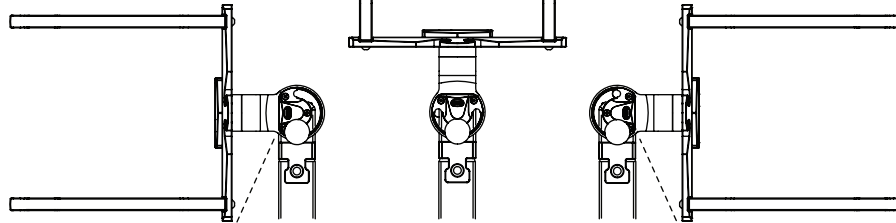
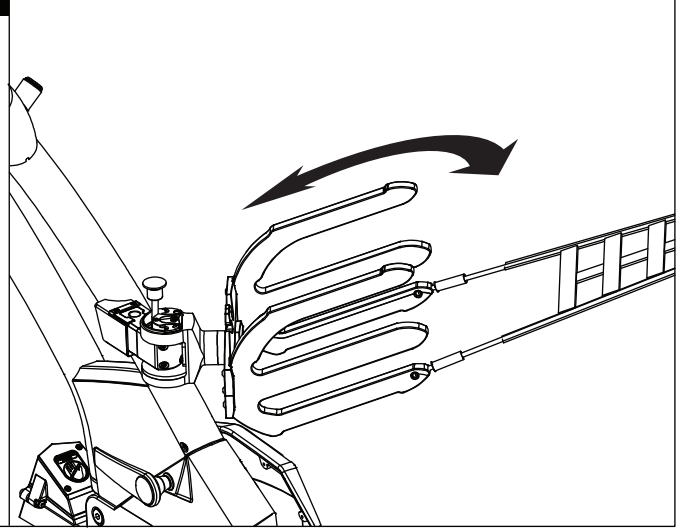


G

To use the swivel, push the rack the opposite way you want to swivel, to compress the rubber bumper. Pull up on the pin to release the magnetic lock and begin to rotate the rack.

**H**

Swivel the rack towards the other locking position until it locks into place. Repeat steps G and H to return the rack to its original position.



LOCK POSITION 1

LOCK POSITION 2

