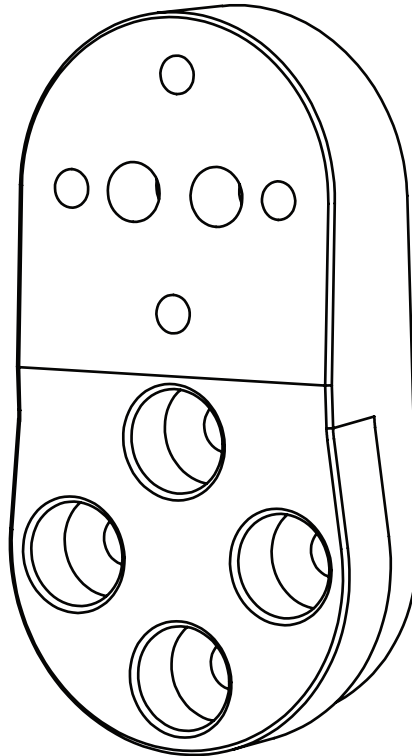


ROSWELL.

www.roswellmarine.com

Triton Rack Adapter

Installation Instructions

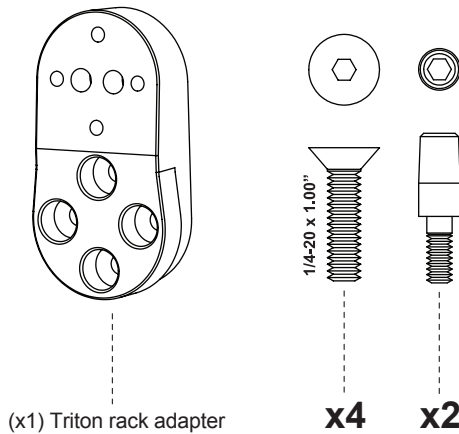


Part # C810-0100

Information: info@roswellmarine.com
If you have any questions please call : 1-321-638-1331



PACKAGE CONTENTS



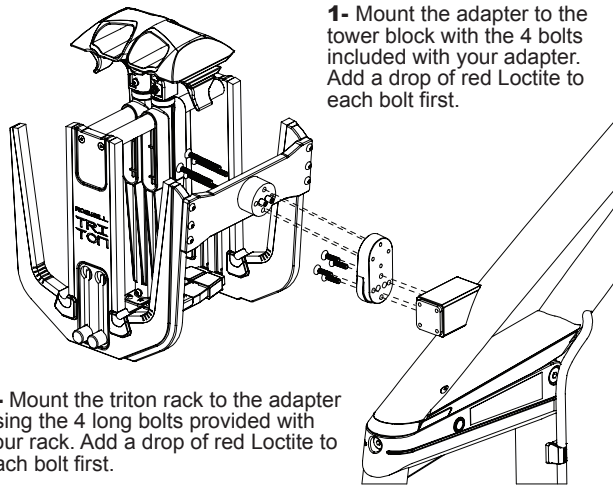
TOOLS NEEDED



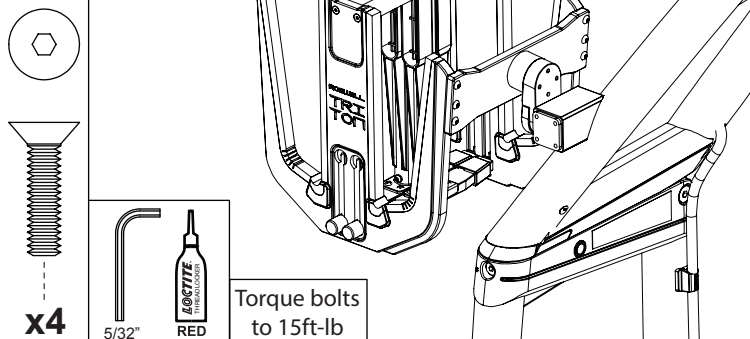
MOUNTING OPTIONS

Your board rack adapter is designed to allow Triton racks to fit in either a fixed installation on Roswell Aviator towers or a swiveling installation on Roswell Pro Edge towers.

Aviator Installation



This is how your Triton rack installation should look.



Pro Edge Installation

1- Install the alignment pins into the adapter adding a drop of red Loctite to each pin

2- Mount the adapter to the swivel with the 4 bolts included with your adapter. Add a drop of red Loctite to each bolt first.

3- Mount the triton rack to the adapter using the 4 long bolts provided with your rack. Add a drop of red Loctite to each bolt first.

This is how your Triton rack installation should look.

