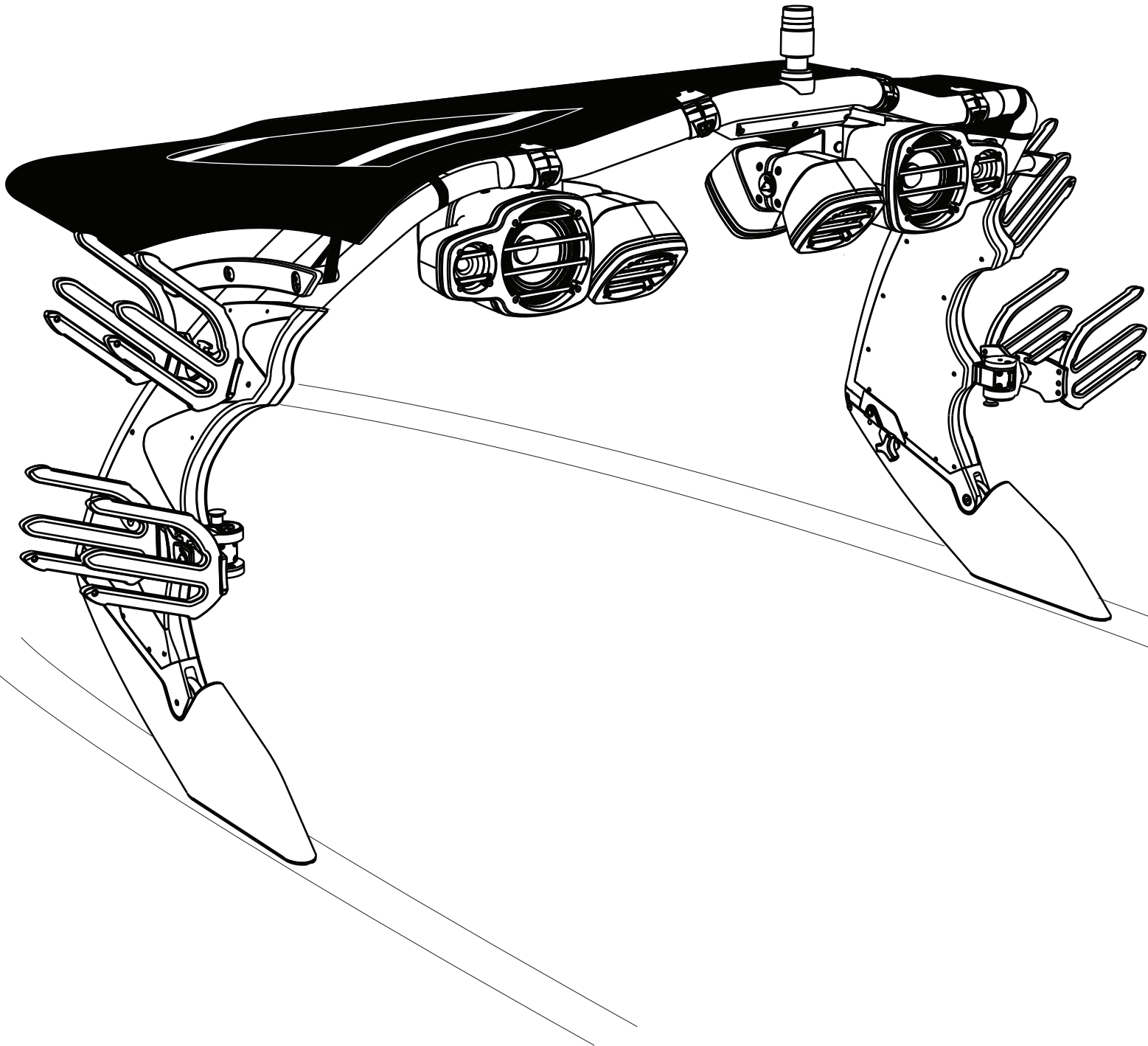


# CENTURION

Maximus Tower &  
Accessories  
Care / Maintenance / Operation



[www.roswellwakeair.com](http://www.roswellwakeair.com)

Information: [info@roswellwakeair.com](mailto:info@roswellwakeair.com)

Warranty: [warranty@roswellwakeair.com](mailto:warranty@roswellwakeair.com)

If you have any questions please call : 1-855-962-WAKE(9253)



Rev. 18-Aug-14

Pg. 1/17

## GENERAL TOWER CARE & MAINTENANCE

This product is to be used for the sole purpose of wakeboarding, wakesurfing, hydrofoiling, and kneeboarding.

The tower is intended to tow a maximum of two wake boarders at one time and no more than 400lbs (181kg) collectively.

Check all tower hardware before every use on the water. We recommend keeping a set of Allan wrenches on your boat for this purpose. Verify that all bolts, screws, and nuts are tight. Even with Loctite they may loosen over time.

Never attach a tow rope to anything other than the tow head.

Do not use the board racks as entry/exit handles to get in and out of the boat – they are not designed for this purpose.

Never hang from the tower. Do not climb or sit on the tower.

Be aware of the tow rope at all times. Ensure that it is not attached to anything on the tower other than the tow head, and that the rope is clear of any cleats or objects on the boat before pulling the rider up and out of the water.

Never travel at speeds in excess of 30mph / 48kph (i.e. towing the boat on a trailer) or through extremely rough water with wakeboards, wakesurfers, skis, etc. in the racks.

Never travel at speeds in excess of 30mph / 48kph (i.e. towing the boat on a trailer) with the Bimini in it's deployed state. ONLY travel with the bimini in it's folded state secured to the tower.

Be cautious when driving your boat on the water or on a trailer if you have board racks. They may decrease your clearance into a garage or slip.

Check the clearance between your tower and any overhead obstacles including bridges, canals etc.

### **NEVER USE CLEANERS ON YOUR TOWER OR ACCESSORIES!**

The Maximus Tower has been treated with an automotive paint coating that forms a protective layer. A mild soap and water combination may be used to remove traveling grime or water spots. Clean with each use. Use only a soft cloth and never use any chemical cleaners. Treat as you would your vehicle. Wax to protect finish



# Folding Your Maximus Tower

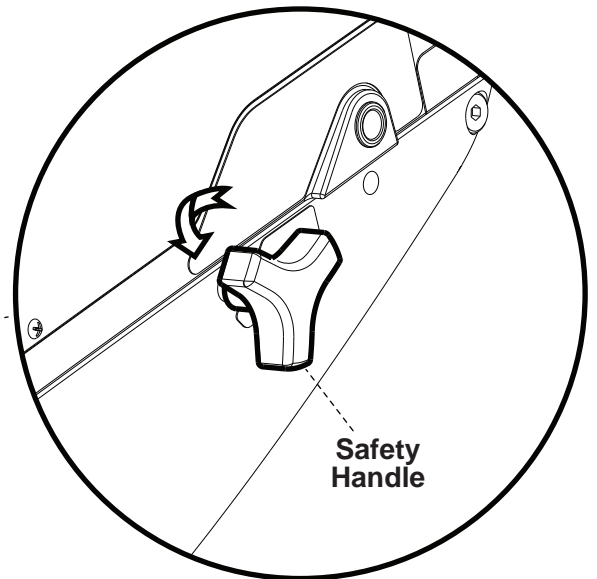
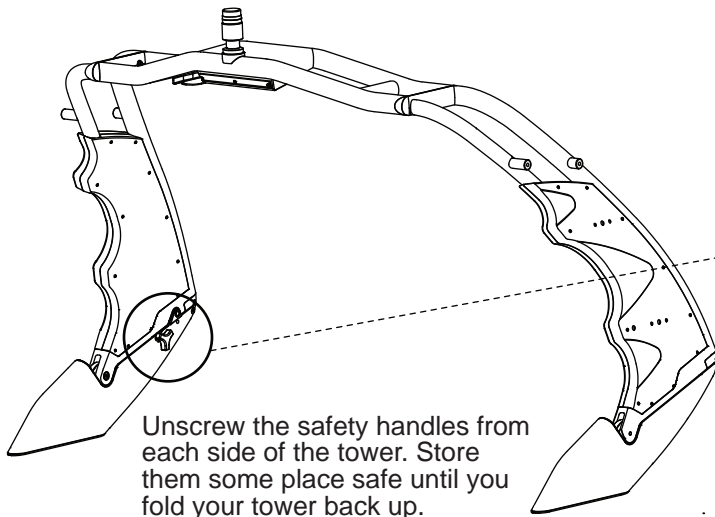
## A

### BEFORE ATTEMPTING TO FOLD YOUR TOWER :

- Ensure all boards have been removed from racks.
- Ensure swivels are locked into either the inside or outside positions.
- Ensure your bimini is folded against the tower.
- Ensure no ones hands are near the folding area of the tower.
- Ensure that no one is sitting in the way of the folded tower.

## B

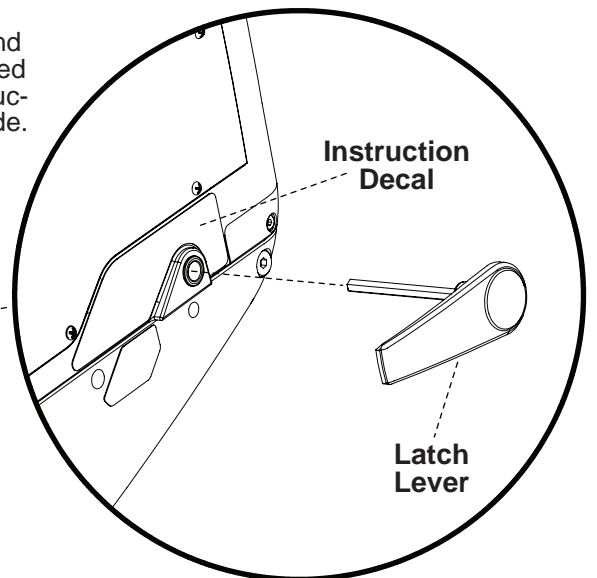
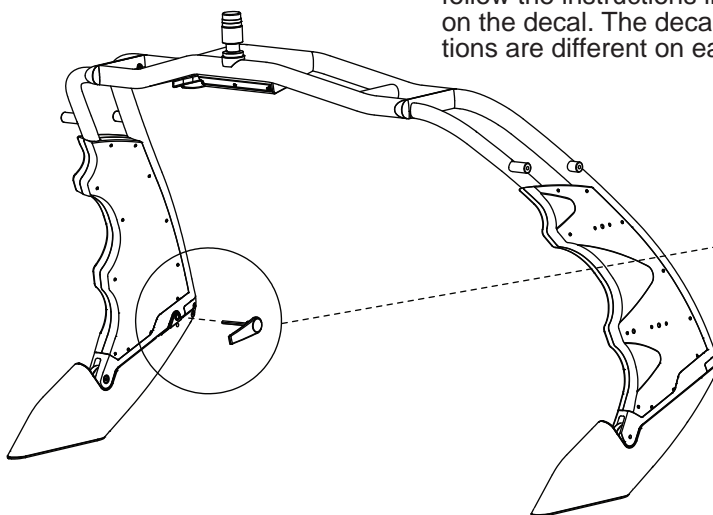
### Remove your 2 safety handles



## C

### Unlocking the latches

Insert the Latch lever into the hole illustrated on the right and follow the instructions indicated on the decal. The decal instructions are different on each side.



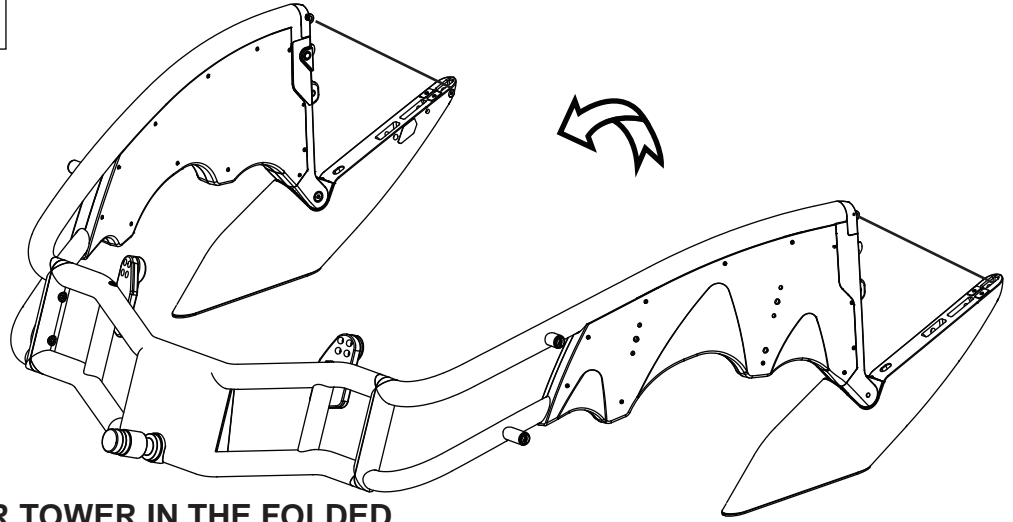
# Folding Your Maximus Tower

## D Fold the tower down

With both latches released, slowly lower your Maximus tower until it rests at the stop position.

This folded position is intended for low speed boat operation such as

- Parking boat in garage
- Boating under a bridge
- Parking Boat in Slip

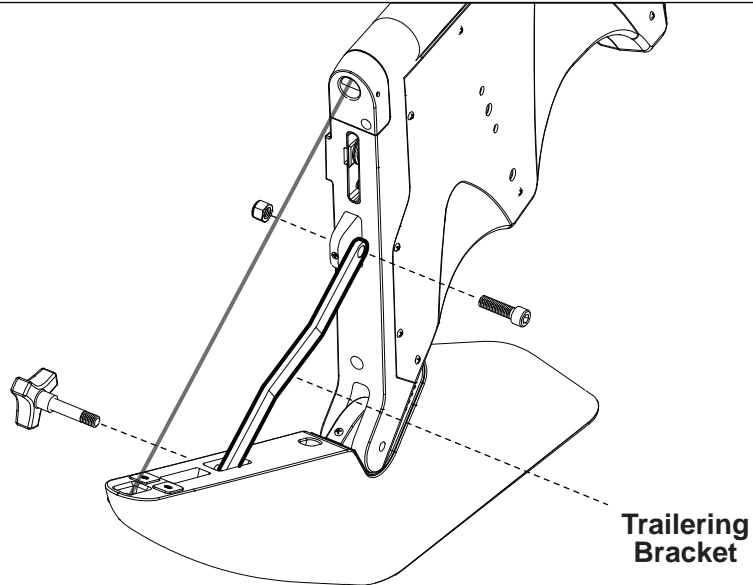
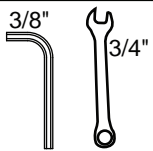


**DO NOT TRAILER YOUR TOWER IN THE FOLDED POSITION WITHOUT THE TRAILERING BRACKETS**

## E Trailering brackets

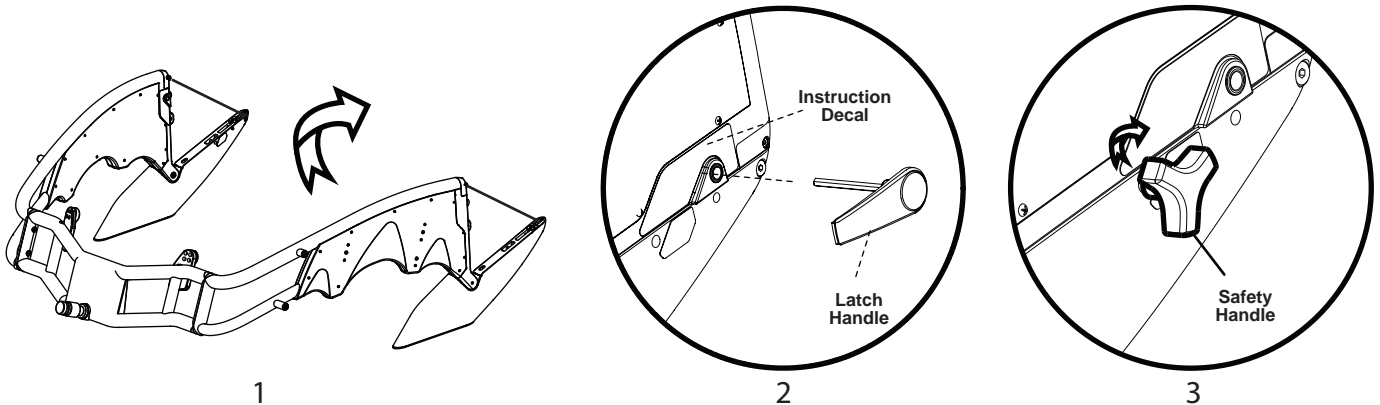
If you plan to trailer your tower in the folded position install your trailering brackets.

Anchor one end into the safety handle hole with the safety handle. Anchor the other end to the protrusion illustrated using the nuts and bolts supplied with your trailering brackets.



## F Raise the tower up

To raise the tower up repeat steps B, C, D & E in reverse.

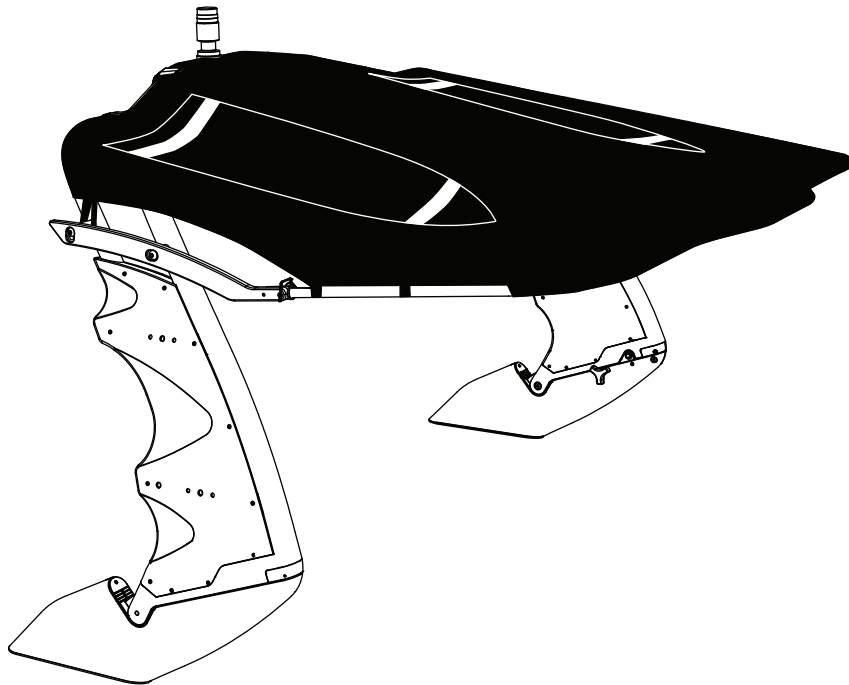


### \*\*\*Important\*\*\*

Read & follow these instructions carefully. Failure to do so may result in damage to parts. Damage to parts from improper use is not covered under warranty.

### ! Attention !

Using your bimini clips in freezing or near freezing temperatures is NOT recommended. Doing so will result in broken bimini clips. Damage to parts from improper use is not covered under warranty.



### GENERAL BIMINI CARE & MAINTENANCE

Check all bimini hardware before every use on the water. We recommend keeping a set of Allan wrenches on your boat for this purpose. Verify that all bolts are tight. Even with Loctite they may loosen over time.

Watch your head when walking under the tower & bimini.

### NEVER USE CLEANERS ON YOUR BIMINI FRAME!

The Maximus bimini is designed with materials and finishes that resist the elements. A mild soap and water combination may be used to remove traveling grime or water spots on the metal components. Use only a soft cloth and never use any chemical cleaners. Clean after each use.

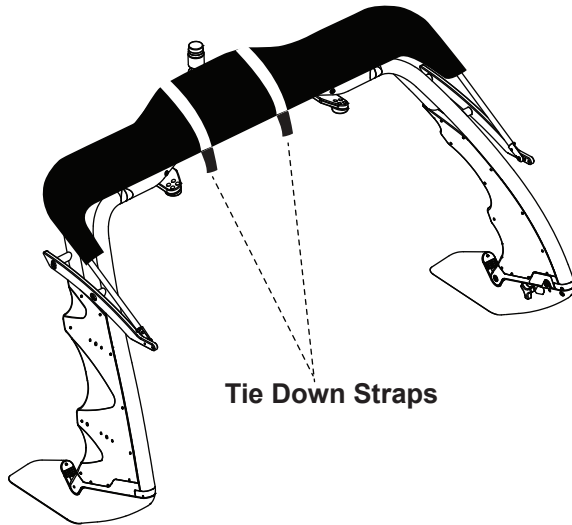
For more info on how to clean and care for your Sunbrella Fabric please go to : [http://www.sunbrella.com/en\\_us/how/cleaning/marine-tops-covers.php](http://www.sunbrella.com/en_us/how/cleaning/marine-tops-covers.php)



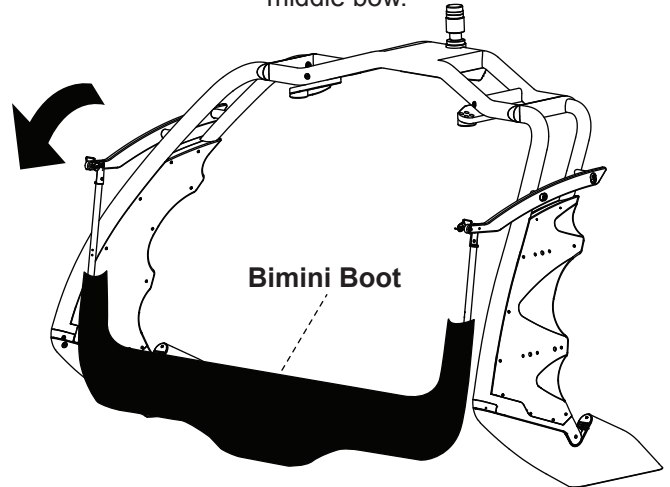
# A

## Unfolding your Maximus Tower Bimini

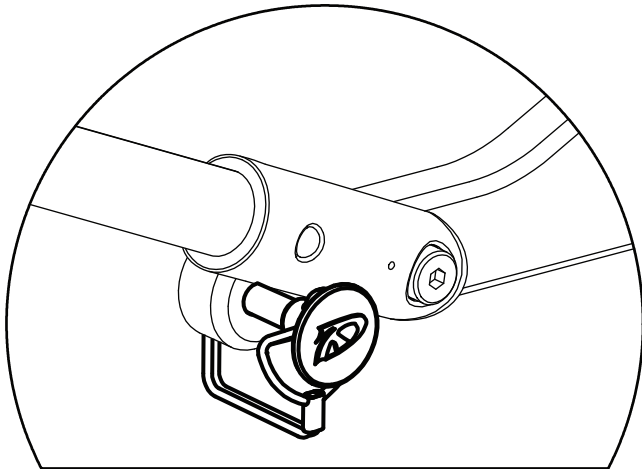
**1 :** Undo the 2 straps that secure the bimini to your tower.



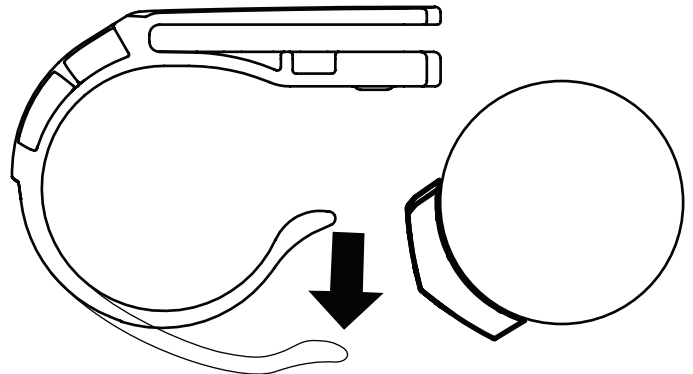
**2 :** Unfold the frame from the tower. Unzip the bimini boot from the bimini frame. Unroll your fabric, clips and middle bow.



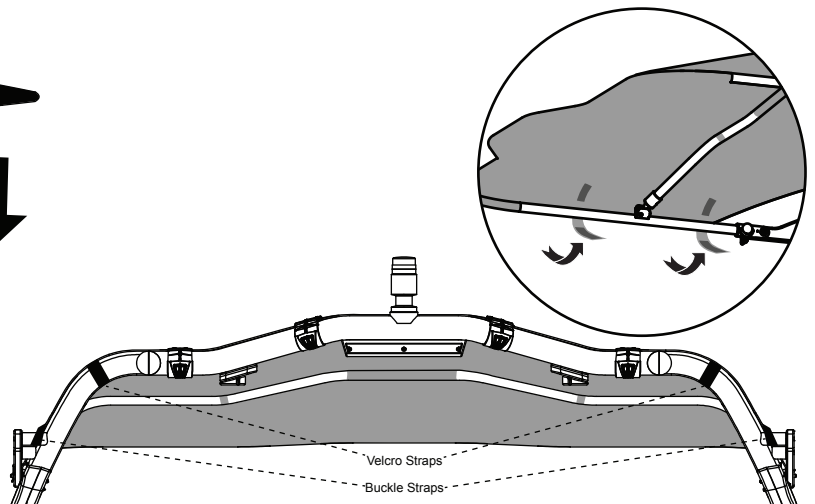
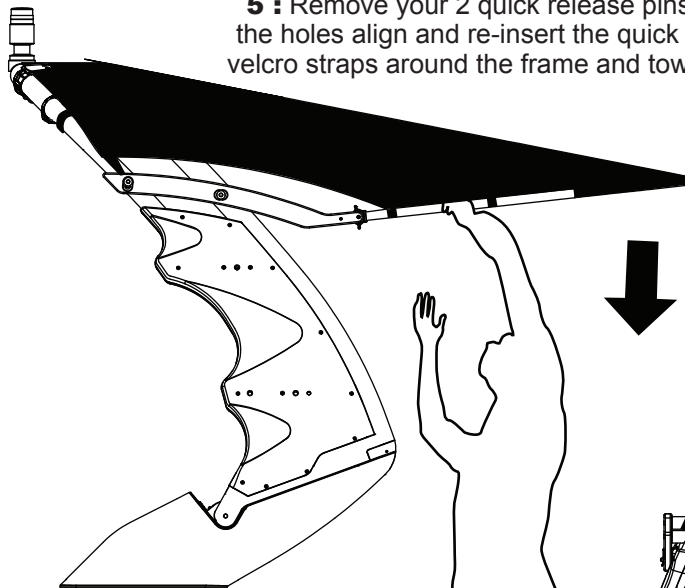
**3 :** Rotate the frame upwards and insert the quick release pins into the bimini arms only. Rotate the bimini frame down until it rests on the quick release pins as illustrated



**4 :** Clip all of your bimini clips to the tower. Use the finger tab to flex the clips over the tubing.

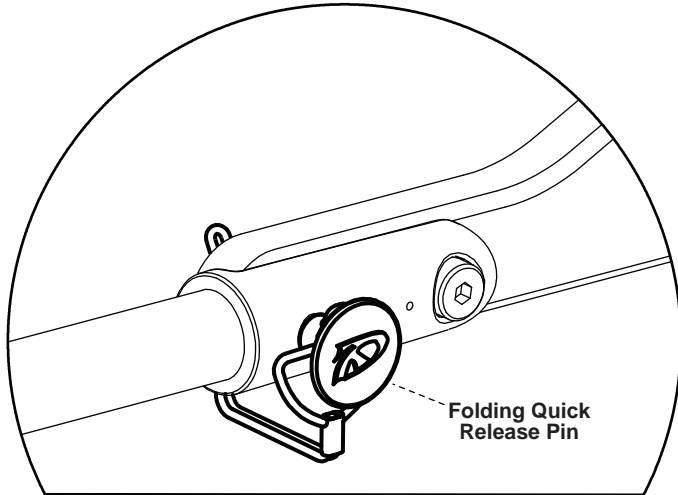


**5 :** Remove your 2 quick release pins from your bimini arms. Pull down lightly on the bimini frame until the holes align and re-insert the quick release pins through the bimini frame and arms. Loop the 6 bimini velcro straps around the frame and tower and cinch down the 2 buckle straps. Your bimini is ready to use.

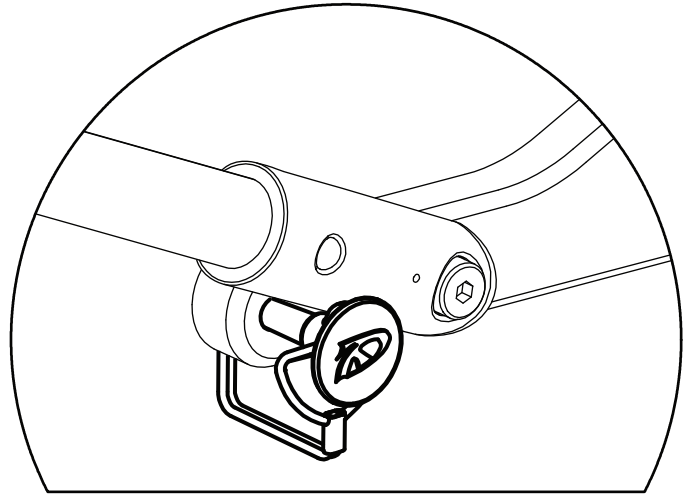


# B Folding up your Maximus Tower Bimini

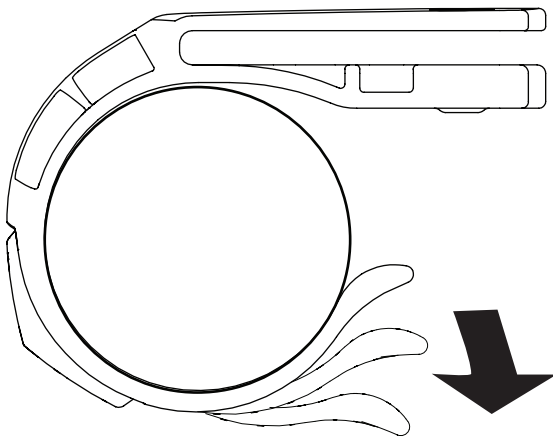
1 : Remove your 2 folding quick release pins and undo the 2 tower velcro & buckle straps and 4 bimini frame velcro straps.



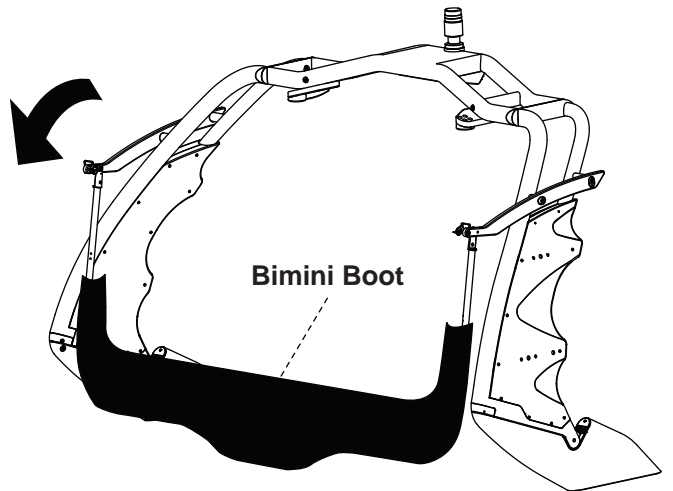
2 : Rotate the frame upwards and insert the quick release pins into the bimini arm only.



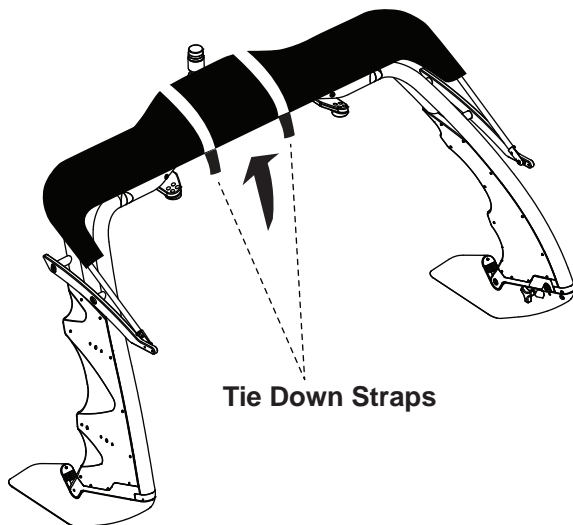
3 : Unclip all of your bimini clips from the rear tower tube.



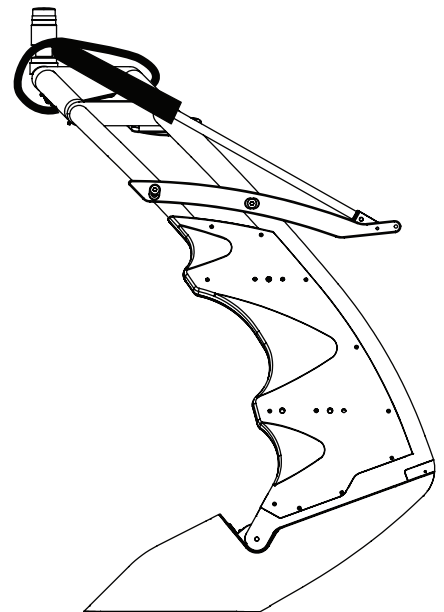
4 : Remove the quick release pins and lower the frame. Fold the middle bow toward the front bow and wrap the fabric and clips around both bows. Zip the bimini boot over the bows and fabric.



5 : Fold the bimini up towards the tower until it rests on top of the tower.



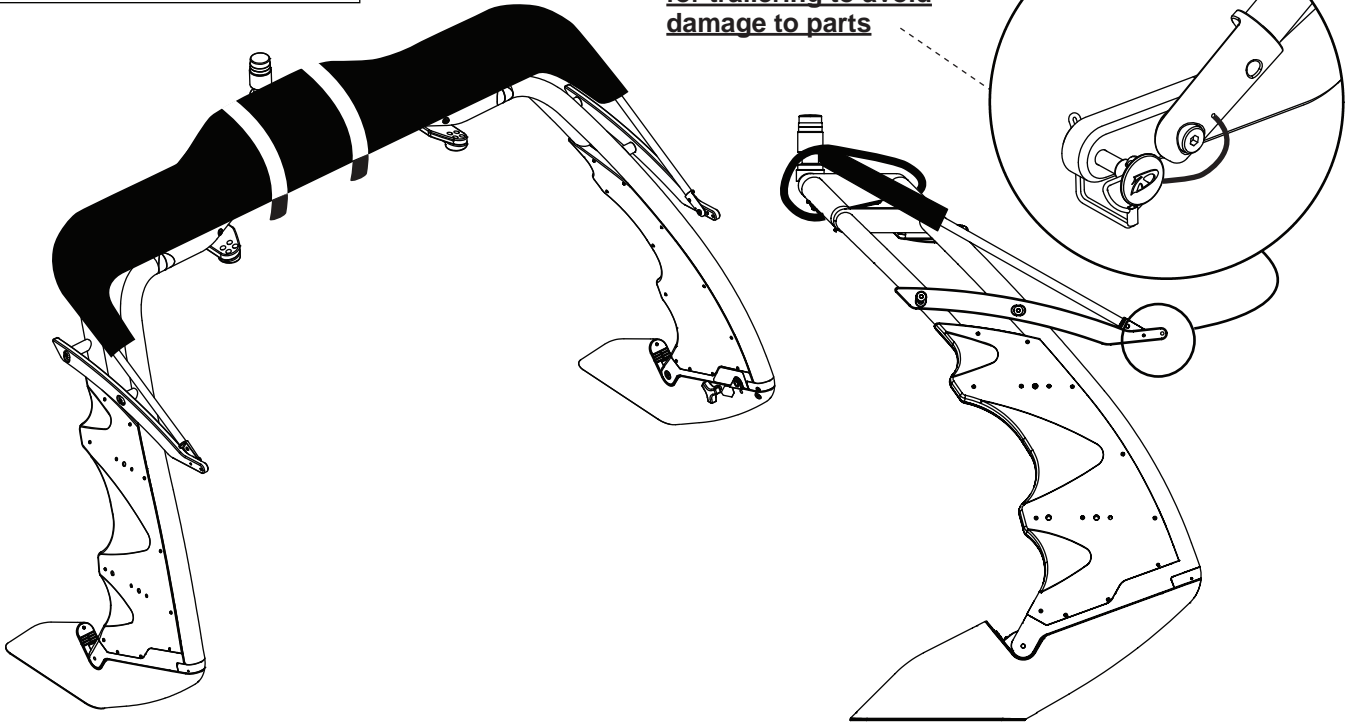
6 : Loop the tie down straps over and under the tower tubing. Adjust the straps to tighten the bimini to the tower.



# C

## Tower folding / Trailering

Quick release pins must be inserted into the bimini arms for trailering to avoid damage to parts



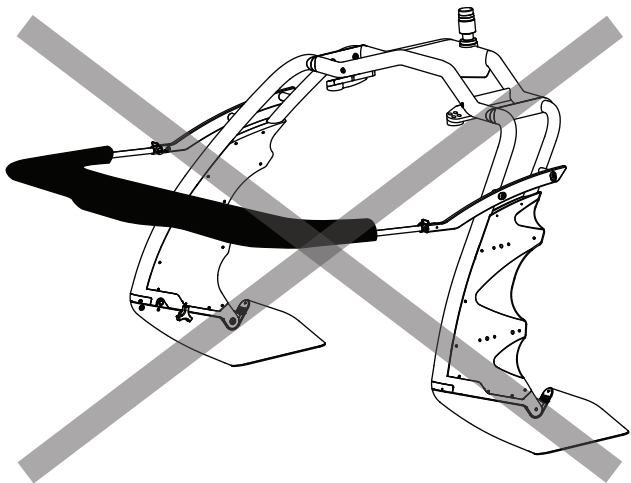
**\*\*\* Illustrated is the ONLY acceptable way to safely fold your Centurion tower or trailer your Centurion boat with the bimini on\*\*\***

### **! ATTENTION !**

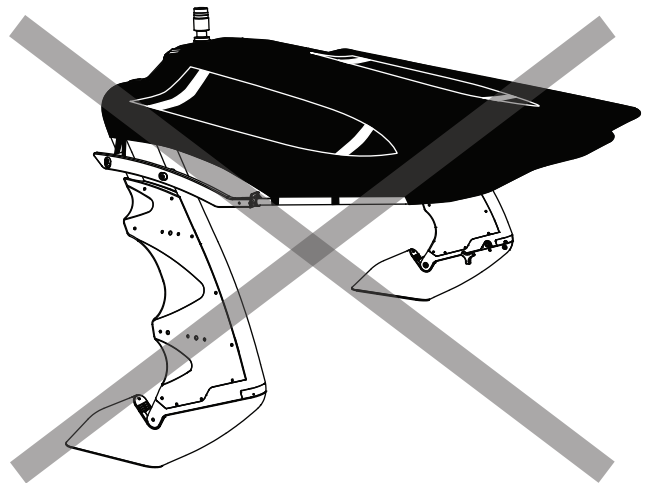
**DO NOT TRAILER YOUR BOAT WITH THE BIMINI IN ITS OUTSTRETCHED POSITION**

**DO NOT FOLD YOUR TOWER WITH THE BIMINI IN ITS OUTSTRETCHED POSITION**

**DO NOT USE YOUR BIMINI IN ITS OUTSTRETCHED POSITION IN ANY HIGH WIND CIRCUMSTANCES**



**DO NOT FOLD THE TOWER OR TRAILER BOAT WITH BIMINI IN THIS POSITION**



**DO NOT FOLD THE TOWER OR TRAILER BOAT WITH BIMINI IN THIS POSITION**





# E Tightening your Centurion Tower Bimini Canvas

It is normal that your bimini canvas will stretch over time and use. Your Centurion Tower Bimini has been designed to allow you to tighten your canvas as needed.

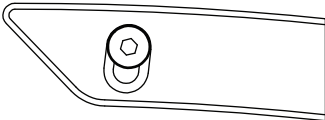
There are 2 ways you can tighten your bimini canvas. You can use method 1, 2 or a combination of both.

## Canvas Tightening method 1

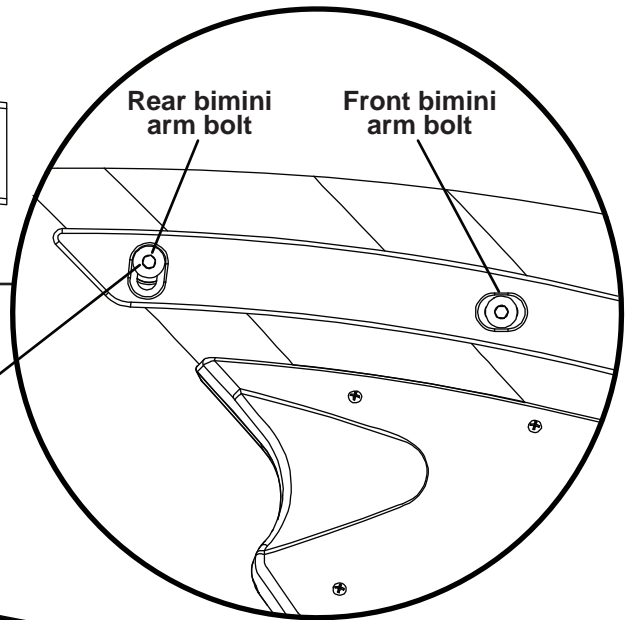
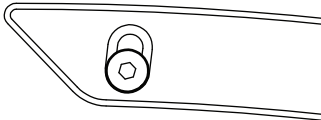
This method is best executed with 2 people

Remove the rear bimini arm bolts on port and starboard sides. Do not remove the front bimini arm bolts. Once both rear bolts are removed, re-apply Loctite to each bolt and re-thread them loosely back into the tower. Have a friend lightly pull down on the bimini arms one side at a time. With the arm being pulled down, re-tighten the rear bimini arm bolt. Repeat on the other side.

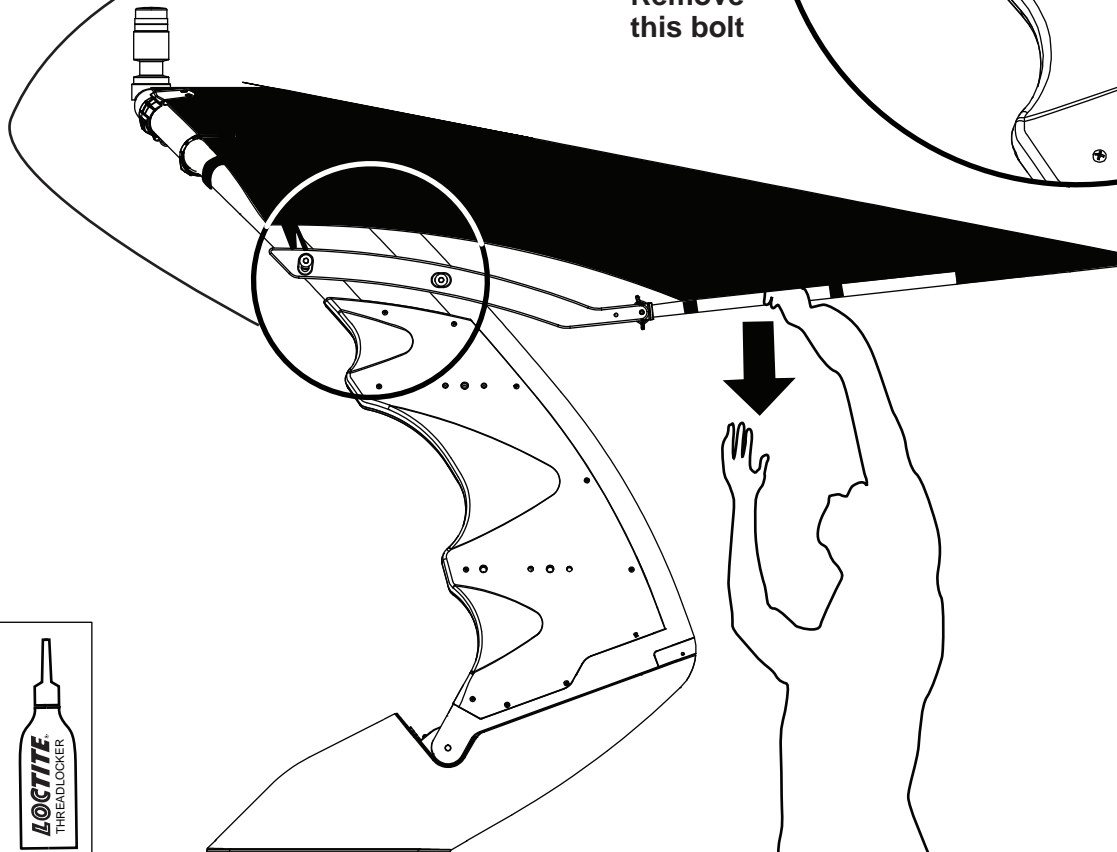
Factory installed rear bolt position



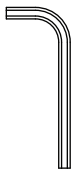
Tighter canvas rear bolt position



Remove this bolt



5/16"



# D Tightening your Centurion Tower Bimini Canvas

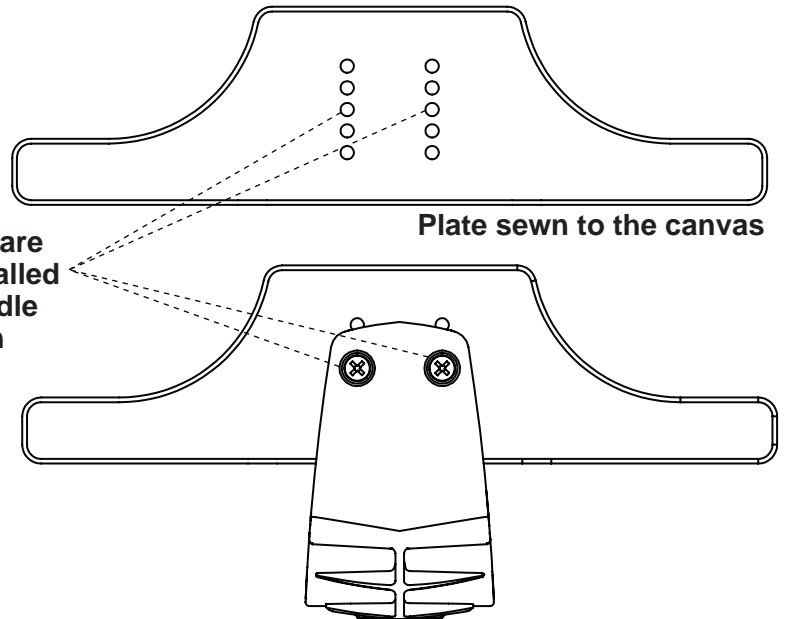
It is normal that your bimini canvas will stretch over time and use. Your Centurion Tower Bimini has been designed to allow you to tighten your canvas as needed.

There are 2 ways you can tighten your bimini canvas. You can use method 1, method 2 or a combination of both.

## Canvas Tightening method 2

Your bimini clips are mounted to plates that are sewn to your bimini canvas. These plates have 5 sets of holes designed to allow you to move your bimini clip position to achieve a tighter canvas.

Your clips are factory installed in the middle position



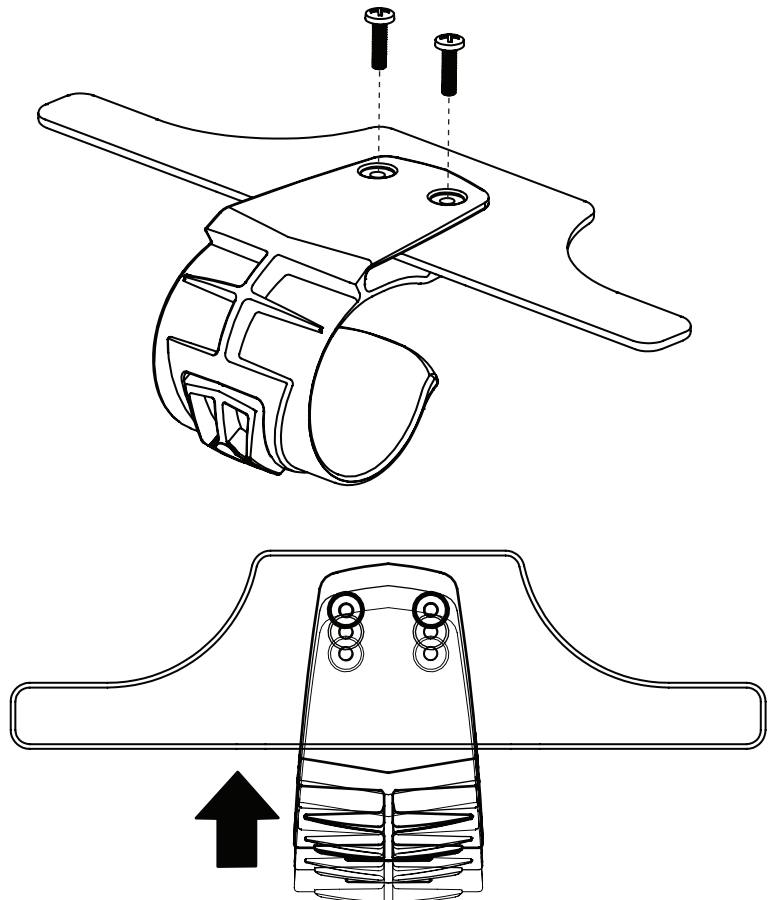
\*\*\*Clips are attached to the bimini canvas. Bimini canvas is not illustrated for image clarity\*\*\*

With a Phillips screwdriver, remove the 2 bolts that secure each bimini clip to the canvas. Slide each bimini clip over the new hole set that you would like to install them in.

It is recommended that the clips only be moved 1 hole position at a time.

Once the clip is lined up over the desired holes, re-secure the clips to the canvas using a Phillips screwdriver and the 2 bolts.

**Do not overtighten these bolts**



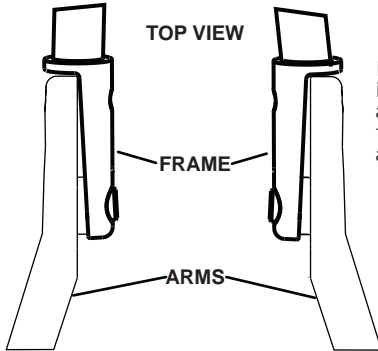
# F

## Tips and Tricks for your Bimini

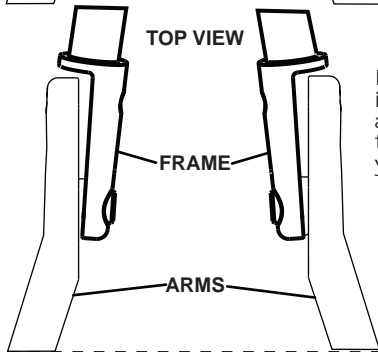
It is normal that there is potentially a slight variation from one tower bimini to another. Listed below are some tips and tricks to ensure that your bimini is installed and functioning properly. This process is not mandatory for all biminis.

1 : It is possible that once your bimini is installed your frame and arms are not parallel where they pivot. This could make inserting and removing your quick release pins difficult.

If you are not experiencing any issues, skip this page.

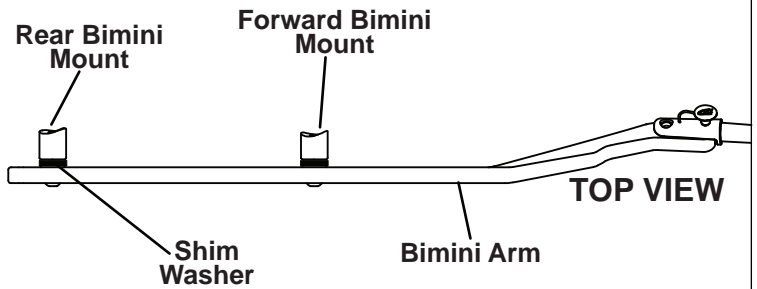


If your bimini looks like this, in Step 2 you will need to add shim washers between the forward bimini mounts and your bimini arms

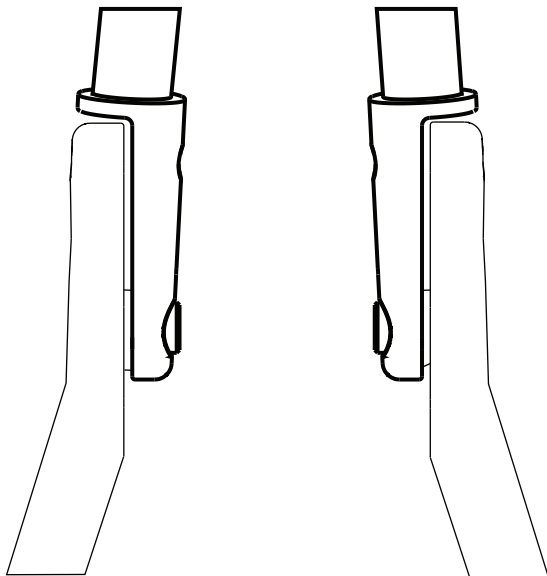


If your bimini looks like this, in Step 2 you will need to add shim washers between the rear bimini mounts and your bimini arms

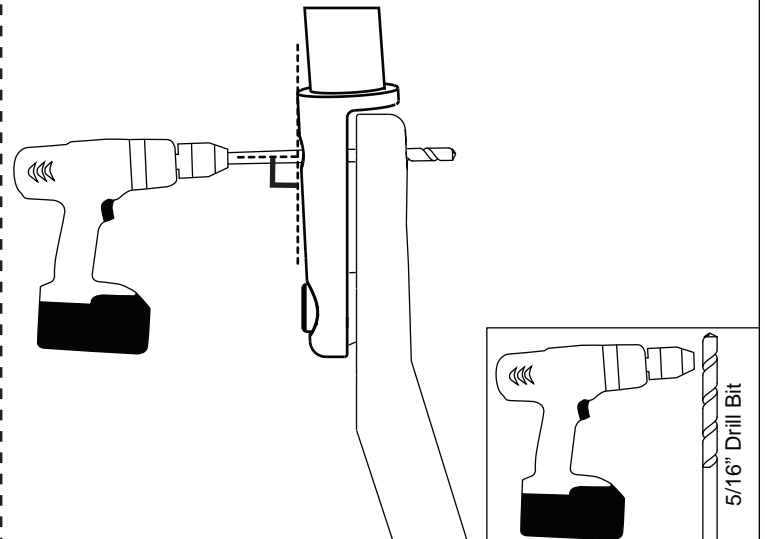
2 : Choose one side of your tower to work on first. Determine which bimini mount the shim washers will need to be added to. Completely remove the bolt that secures the bimini arm to your chosen bimini mount. Loosen the other bimini arm bolt. Add the shim washer(s) in between the chosen bimini mount and bimini arm (In some cases 2 washers may be required under each arm). Re-insert the bolt with loctite applied. Remove the loosened bolt, apply Loctite and re-insert. Tighten down the front and rear bimini arm bolts in the same position they were in prior to loosening them. Repeat on the other side of your tower.

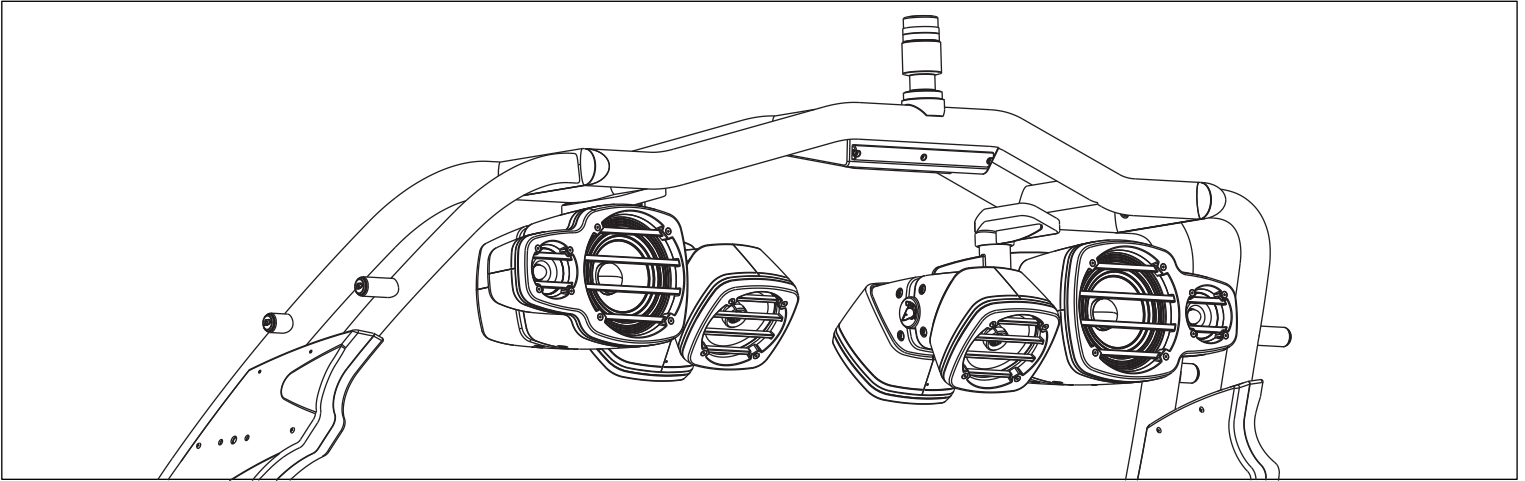


3 : Now that your shim washers have been added your frame and arms should be parallel or much closer. Test removing and inserting your quick release pins. If it is still difficult to remove or insert the pins proceed to the next step.



4 : If your quick release pins are still difficult to remove and insert with the addition of the arm shim washers, Roswell recommends using a drill with a 5/16" drill bit to clean out the holes. Drill perpendicular through the frame and bimini arms at the same time. This will help with the alignment and ensure an accurately aligned hole.





### GENERAL SPEAKER CARE & MAINTENANCE

Check all Speaker hardware before every use on the water. We recommend keeping a set of Allan wrenches on your boat for this purpose. Verify that all bolts are tight. Even with Loctite they may loosen over time.

Watch your head when walking under the tower or getting up from the bench seats. The Downfire speakers hang low and decrease head clearance.

#### **NEVER USE CLEANERS ON YOUR DOWNFIRE SPEAKERS!**

The Downfire Speakers have been treated with an automotive paint coating that forms a protective layer. A mild soap and water combination may be used to remove traveling grime or water spots. Clean with each use. Use only a soft cloth and never use any chemical cleaners. Treat as you would your vehicle. Wax to protect finish.

## **ROSWELL MARINE AUDIO SOUND SYSTEM**

### **BASIC OPERATION**

High-powered audio systems provide us with the ultimate in sound quality and an unparalleled listening experience. They also require additional respect and knowledge over a standard stock audio system. Following the information below will ensure you are getting the most enjoyment out of your new Roswell Marine Audio system.

**Your Roswell Marine Audio (RMA) Sound system has been optimally tuned from the factory. Making adjustments to the settings in your Clarion CMS2 head unit will alter this tuning and creates potential for damaging your audio system components.**

### **DUAL ZONE VOLUME CONTROL**

Your Roswell Marine Audio System is setup into two zones; In-Boat and Tower. Each zones volume can be controlled separately at the turn of a dial.

This control allows you to lower the interior volume to a conversation level while still supplying music to the rider as well as allowing you to turn off only the tower speakers when a rider is not behind the boat.

- The master volume is always controlled by the head unit or one of its remote controls.
- Your dual zone volume control is located on the drivers' console.



**Dual Zone  
Volume Control**



### **BLUETOOTH OPERATION**

Your CMS2 Head Unit includes built-in Bluetooth technology that allows you to wirelessly connect Bluetooth devices to this head unit for streaming audio.

### **Pairing the Bluetooth Device**

1. From your Bluetooth enabled device, turn the Bluetooth ON and search for Bluetooth devices.
2. When a list of available Bluetooth devices appear on your Bluetooth device, select "Clarion".
3. "Successful" will appear on the CMS2 display.
4. The unit will automatically enter the BT Audio source and you can now start streaming audio from your Bluetooth enabled device.

**Note:** If the mobile phone doesn't support SSP (Simple Secure Pairing) Profile, please enter the pass code of "0000" when prompted.

### **Disconnect / Re-Connect**

1. Press the adjust button.
2. Press the up and down buttons until "BT Disconn" or "Connect" is displayed.
3. Press the play/pause button to confirm the selection.

### **HEAD UNIT OPERATION**

The CMS2 allows the user adjustment of bass, mid, treble, preset EQ and a loudness feature. These features make significant changes in the signal strength and quality produced by the head unit.

**Head unit EQ settings are intended to help provide a balanced sound at lower volumes and to compensate for acoustical issues within a listening area. THEY ARE NOT AN EXTRA VOLUME CONTROL. Use of treble, mid, bass and EQ pre-sets creates risk of component damage and should only be used with proper understanding. Damage to speakers resulting from the abuse of these functions will not be covered under warranty.**

Use the below information as a guideline if adjusting your audio system.

**Note:** The Bass, Mid and Treble settings on the CMS2 range from "-7" to "+7", representing a change in signal voltage at these frequencies of +/- 12 dB. This offers a very broad range of control. Misuse of these features can easily distort the audio signal from the head unit and can result in damage to your speakers.

Setting	Frequency	Range
Bass	60 Hz	+/-12dB
Mid	1 kHz	+/-12dB
Treble	10 kHz	+/-12dB

The head unit is optimally tuned from the factory with all EQ settings at "0".

### **Pre-set EQ**

The CMS2 head unit gives its users the option to choose a preset EQ, if so desired. Simply press the [ADJ] button to turn on the equalization function and use the left and right arrows to select between its pre-defined bass and treble curves: Flat->Jazz->Pop->Classic->Rock->News->Urban->Rave->Movie->Techno->User. Simply choose the pre-set EQ setting that suits your listening preferences.

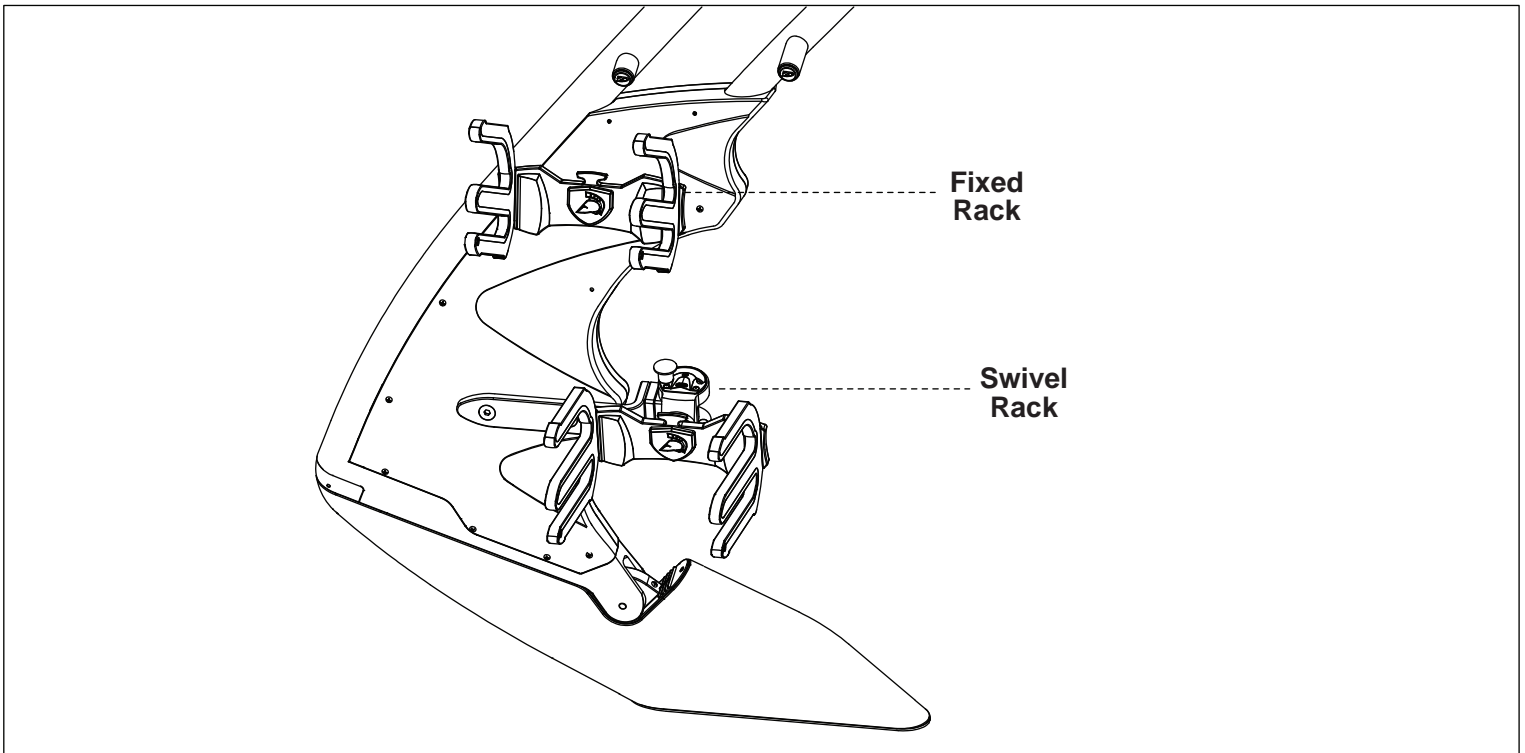
### **Loudness- RMA recommends you leave this feature off at all times.**

This feature is designed to be used when listening to music at low volumes ONLY. This feature will boost the bass and treble ranges to 'enhance low volume listening'. Using the loudness feature at high volumes will damage your speakers.

Head units put out their cleanest signal at lower volumes. You will notice significant signal distortion from the head unit at higher volumes, as well as with higher selections in the on-board EQ's Bass, Mid, and Treble settings. EQ settings above +3 can result in audible distortion and a noticeable drop in sound quality. This signal distortion can easily result in damage to your speakers. Keep all EQ settings at or below the +3 setting.

**RMA has factory optimized your audio settings to give you the best sound quality. It is the users' responsibility to use this audio system within the ranges listed above.**





### GENERAL RACK & SWIVEL CARE & MAINTENANCE

Check all rack and swivel hardware before every use on the water. We recommend keeping a set of Allan wrenches on your boat for this purpose. Verify that all bolts are tight. Even with Loctite they may loosen over time.

Do not use the board racks as entry/exit handles to get in and out of the boat – they are not designed for this purpose.

Never travel at speeds in excess of 30mph / 48kph (i.e. towing the boat on a trailer) or through extremely rough water with wakeboards, wakesurfers, skis, etc. in the racks.

Never try to fold your tower with boards in the racks.

Be cautious when driving your boat on the water or on a trailer if you have board racks. They may decrease your clearance into a garage or slip. Always swivel your lower racks inside the boat when trailering to remain within legal highway width limits.

### **NEVER USE CLEANERS ON YOUR SWIVELS AND RACKS!**

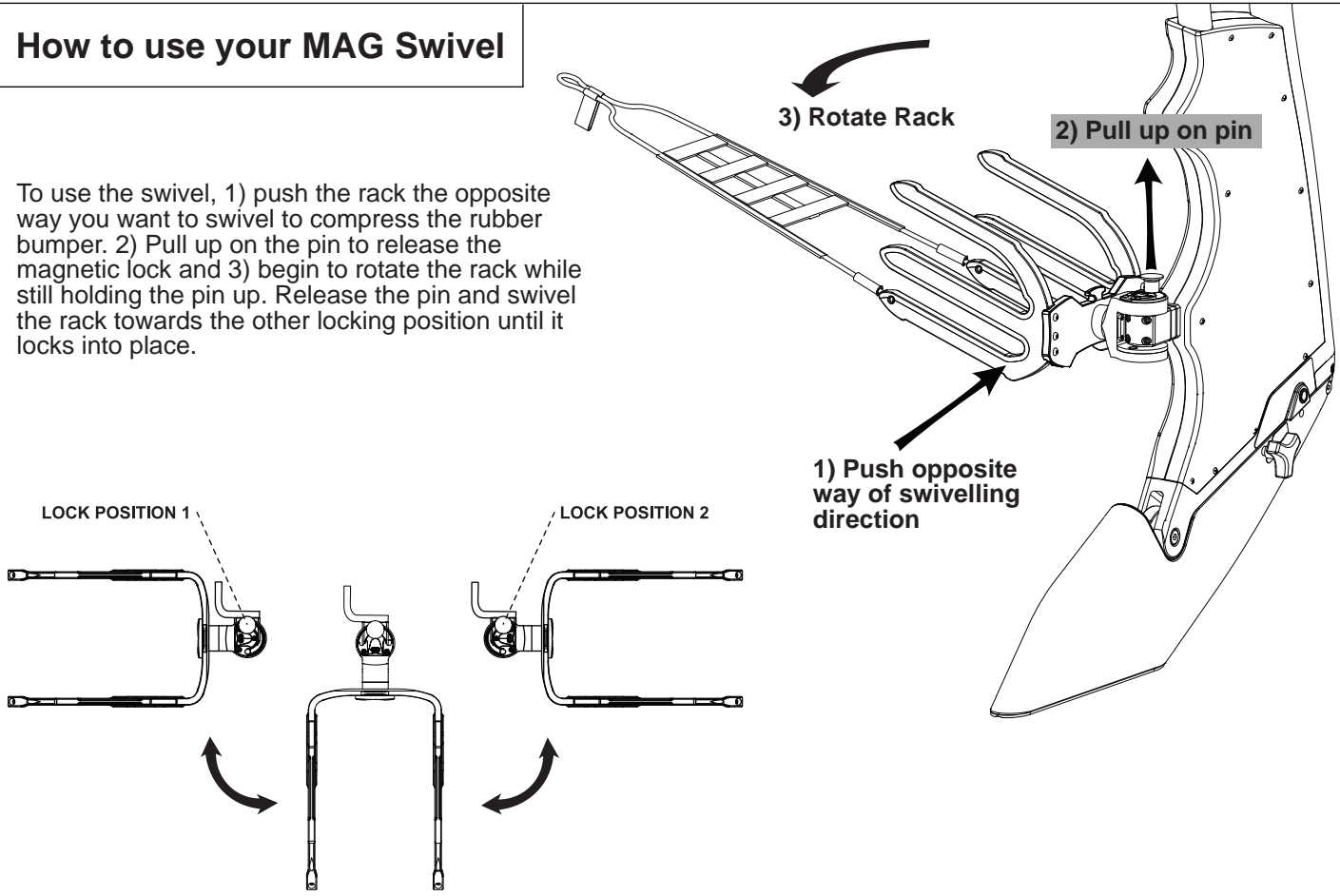
The swivels and racks are designed with materials and finishes that resist the elements. A mild soap and water combination may be used to remove traveling grime or water spots. Clean with each use. Use only a soft cloth and never use any chemical cleaners.



# Using Your Maximus Tower Racks & Surf Pockets

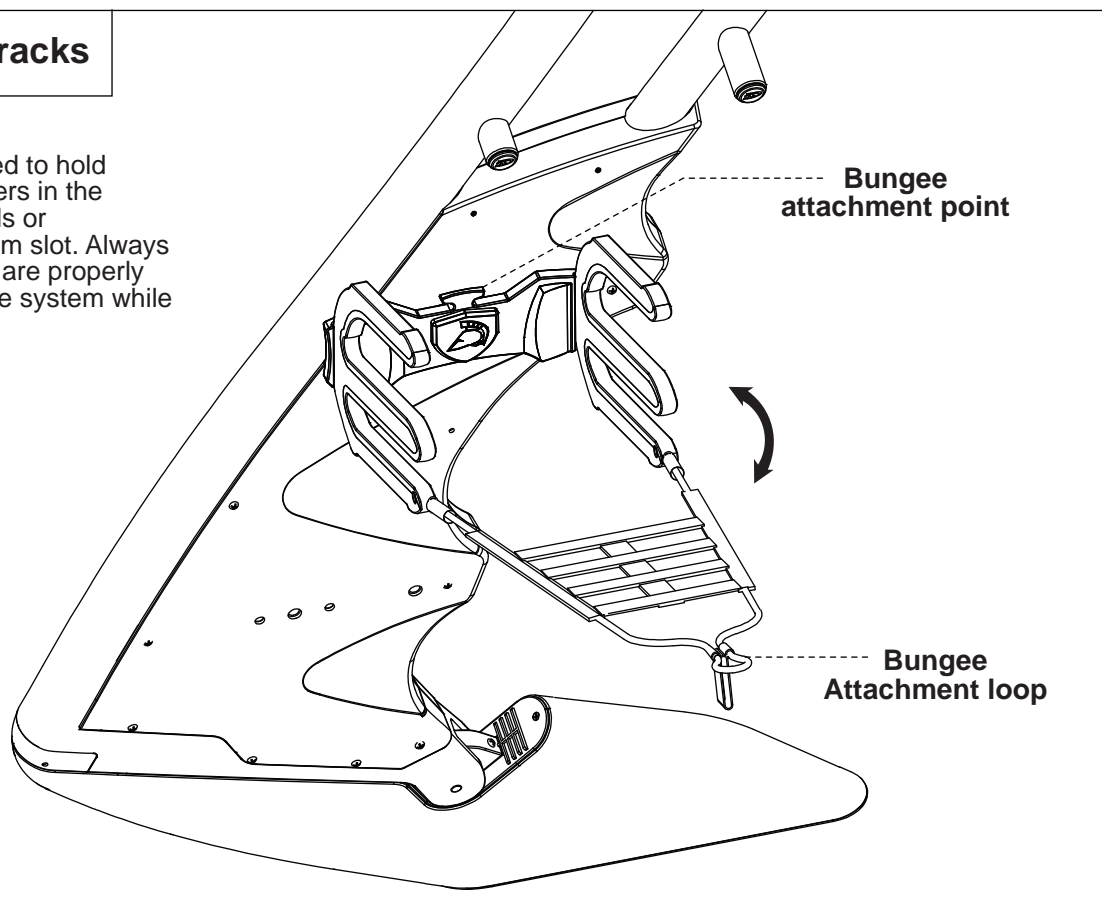
## A How to use your MAG Swivel

To use the swivel, 1) push the rack the opposite way you want to swivel to compress the rubber bumper. 2) Pull up on the pin to release the magnetic lock and 3) begin to rotate the rack while still holding the pin up. Release the pin and swivel the rack towards the other locking position until it locks into place.



## B How to use your racks

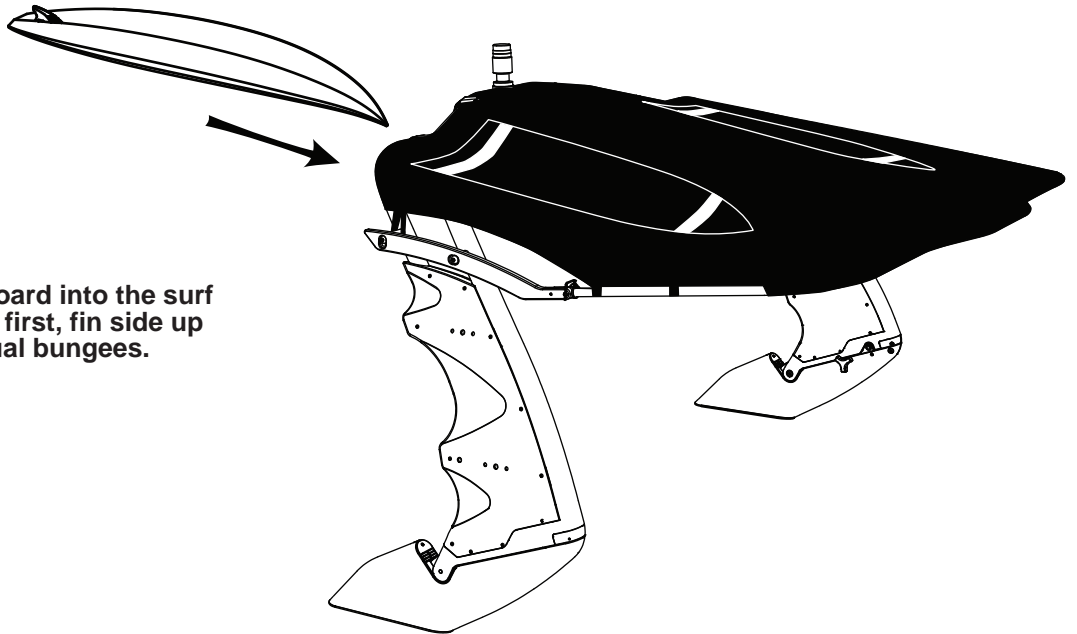
Your Racks are designed to hold surfboards or wakesurfers in the upper slot & wakeboards or wakeskates in the bottom slot. Always make sure your boards are properly secured with the bungee system while the boat is moving.



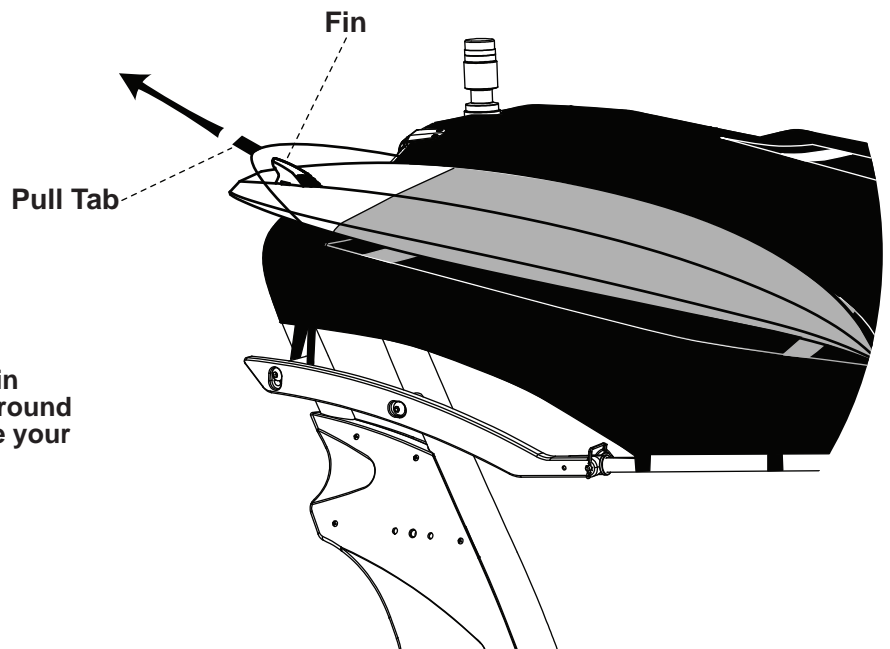
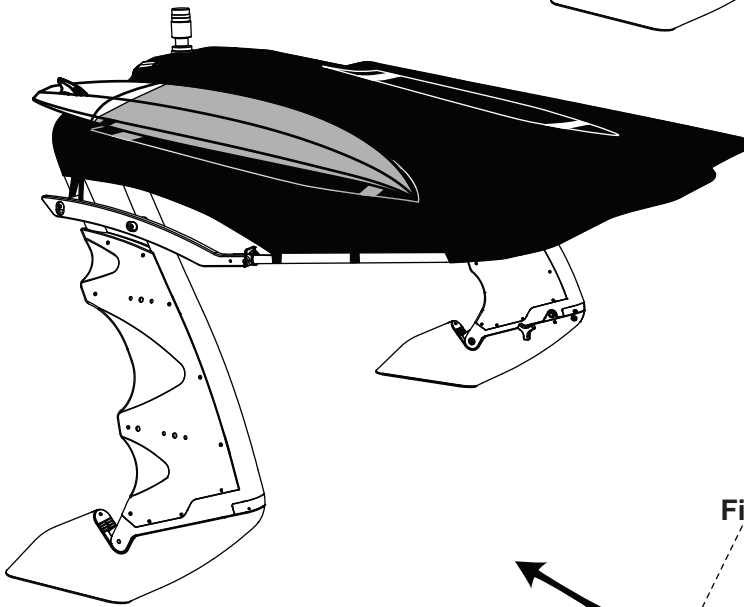
# Using Your Maximus Tower Racks & Surf Pockets

## C How to use your Surf Pockets

1)  
Slide your board into the surf pocket nose first, fin side up under the dual bungees.



2)  
Slide your board as far into the surf pocket as possible.

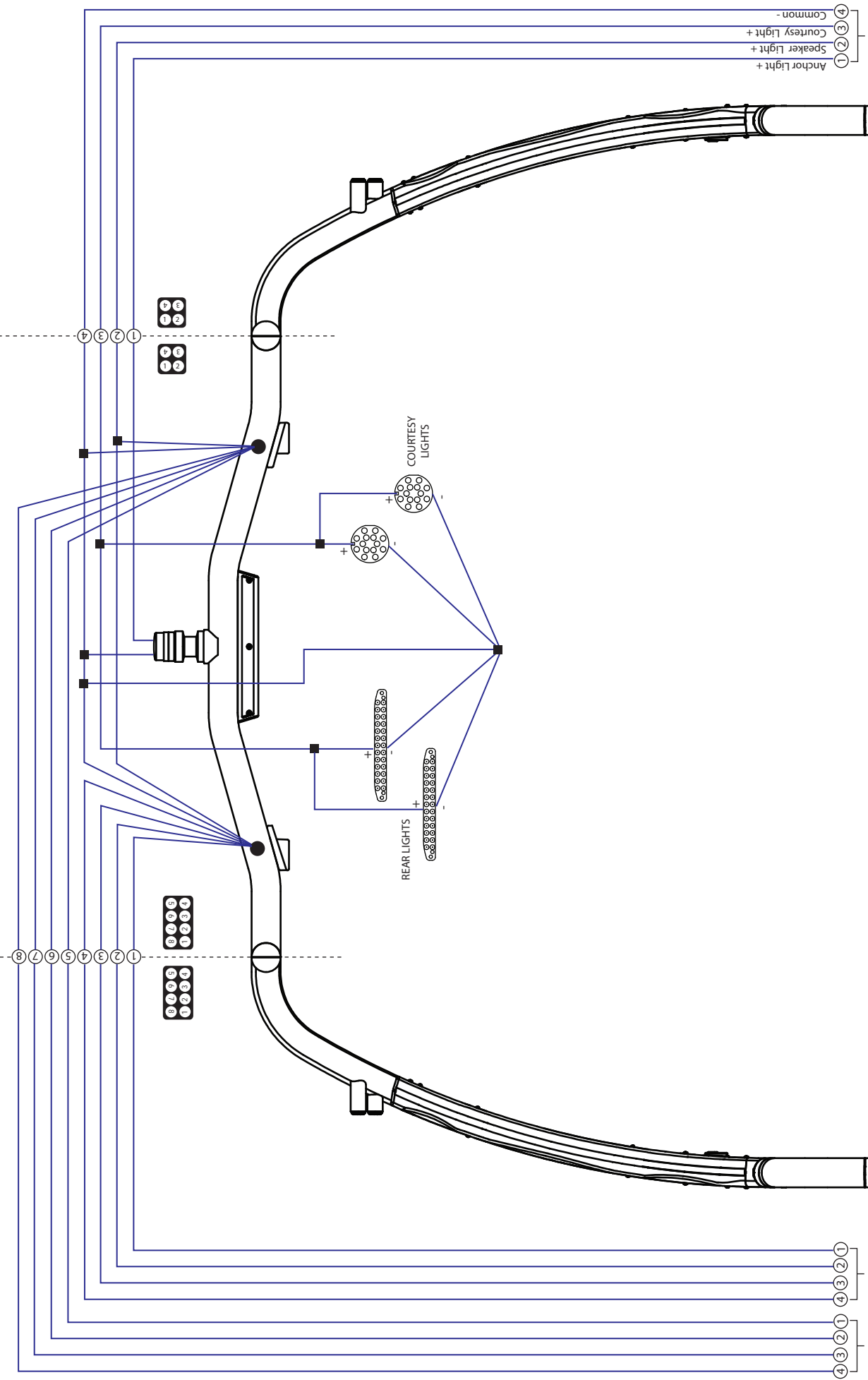


3)  
Using the pull tab on the fin bungee, pull the bungee around your board fin(s) to secure your board in the surf pocket.





# Maximus Tower - Wiring Diagram



REAR VIEW OF MAXIMUS TOWER

- Anchor Light +
- Speaker Light +
- Courtesy Light +
- Common -

- PURPLE & BLACK -
- PURPLE +
- GREY & BLACK -
- GREY +
- GREEN & BLACK -
- GREEN +
- WHITE & BLACK -
- WHITE +

16 AWG | 16 AWG  
 DARK GREY +  
 LIGHT BLUE +  
 DARKBLUE +  
 BLACK -

16 AWG | 16 AWG | 16 AWG  
 AUDIO  
 PORT SIDE

