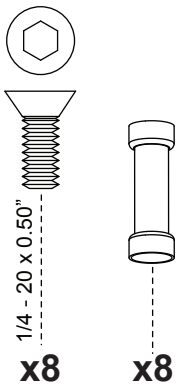


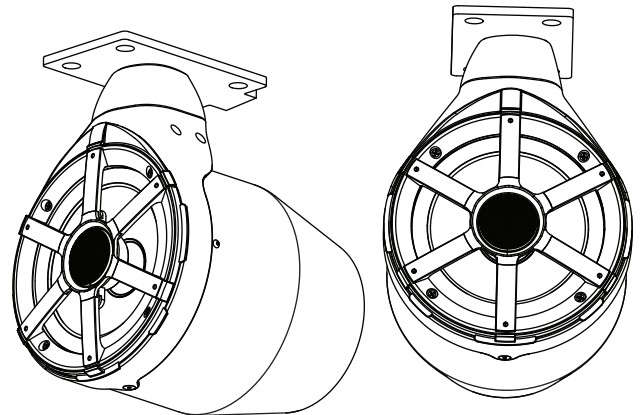
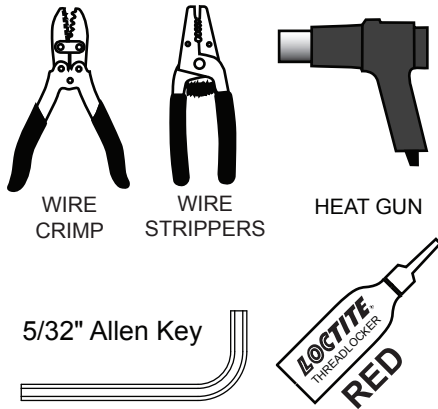
SUPRA

PRO EDGE Top Spin Speakers Assembly Instructions

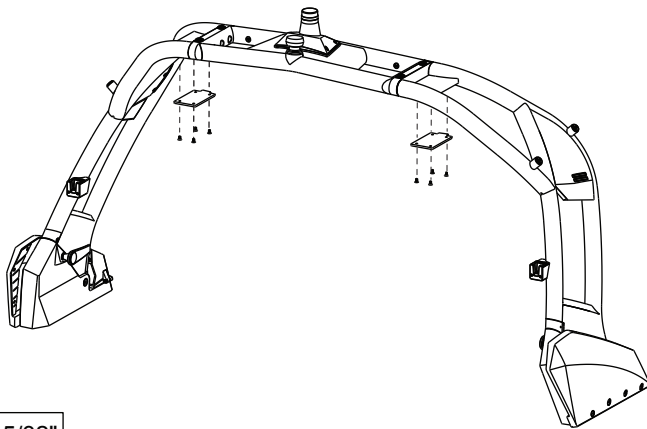
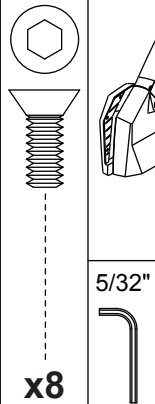
Speaker Hardware



Tools Required

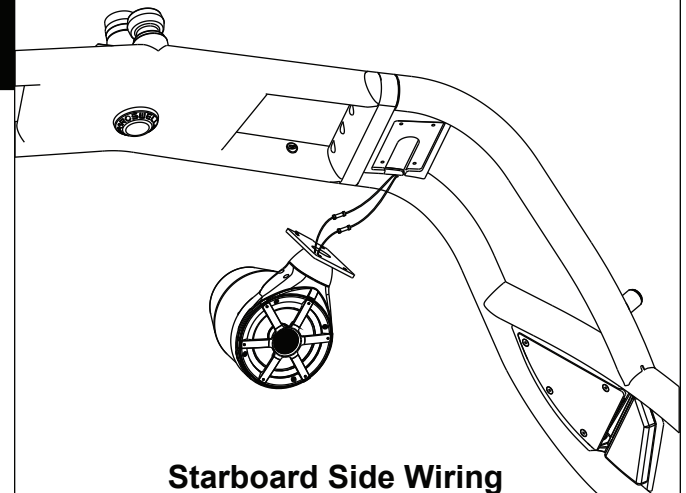
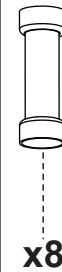


A



Remove the cover plates from both sides of the tower. Set bolts aside. These will be reused to mount your speakers.

B



Starboard Side Wiring

Attach the speaker wires to the corresponding tower wires using the supplied connectors. Then attached LED wires to the corresponding tower wires. View **Step C** for details.

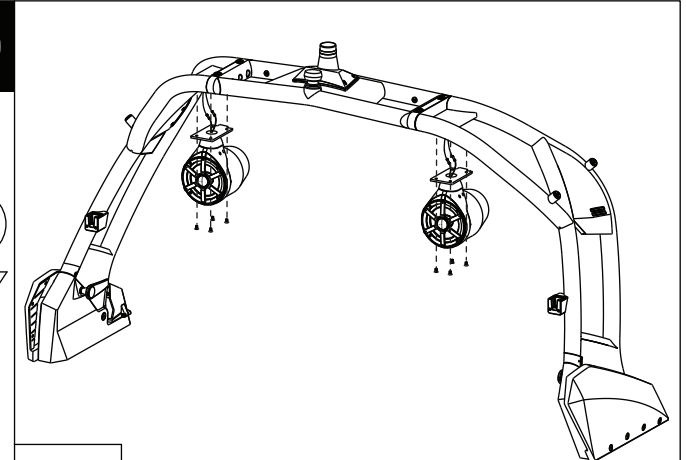
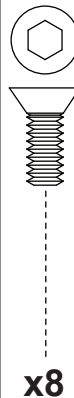
C

1) Use wire strippers to expose 1/4" of wire on all wires.

Port Tower	Crimp	Speaker
White		Green
White & Black		Green & Black
Light Blue		Orange or Yellow
Black		Blue
Stbd Tower	Crimp	Speaker
Grey		Purple
Grey & Black		Purple & Black
Light Blue		Orange or Yellow
Black		Blue

2) Slide matching wires into opposing ends of the connectors and crimp.
3) Heat shrink the connectors.

D



Apply RED Loctite to all bolts, carefully push extra wire length into the recesses of the tower. When mounting the speakers, make sure you are not clamping or pinching any wires.

