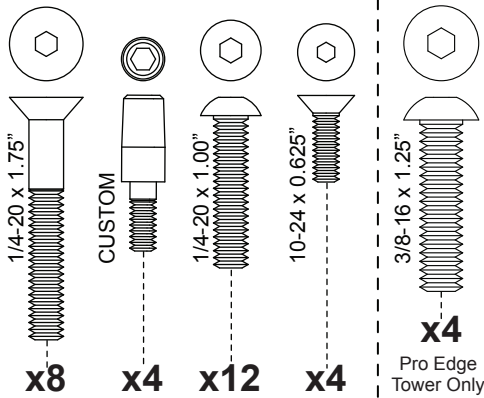


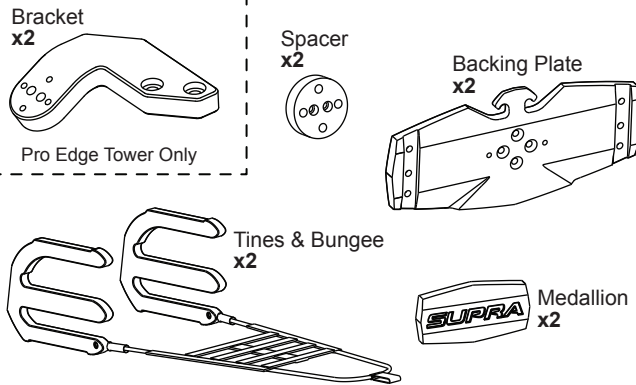
SUPRA

Pro Edge & S Bend Upper Tower Racks Assembly Instructions

Hardware



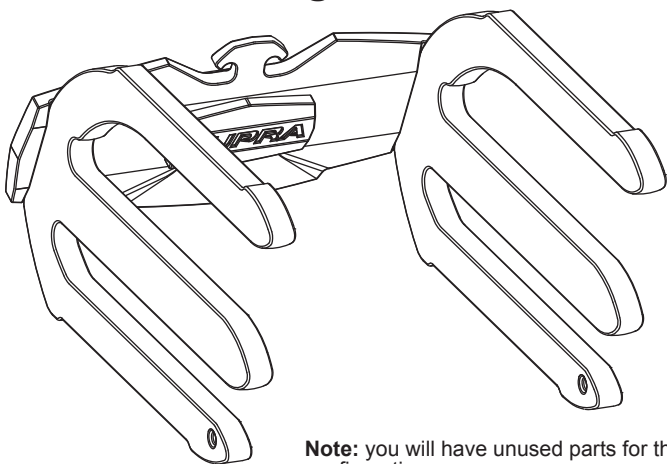
Parts



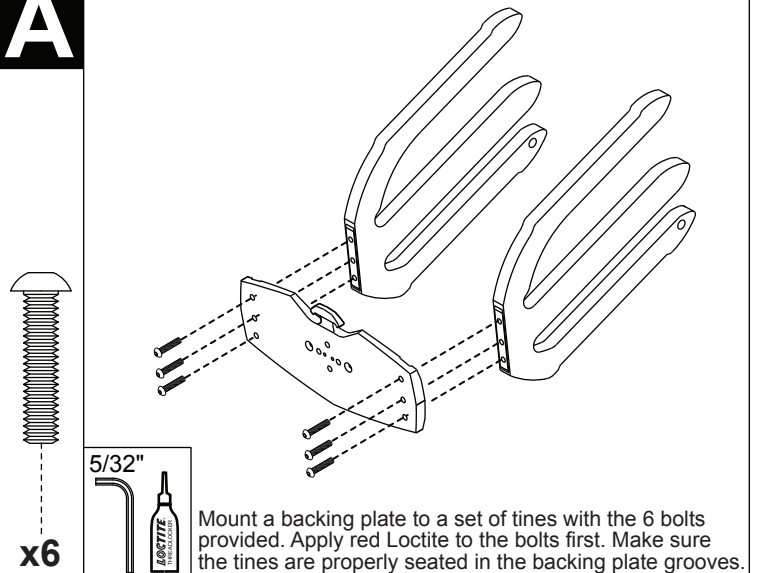
Tools Required



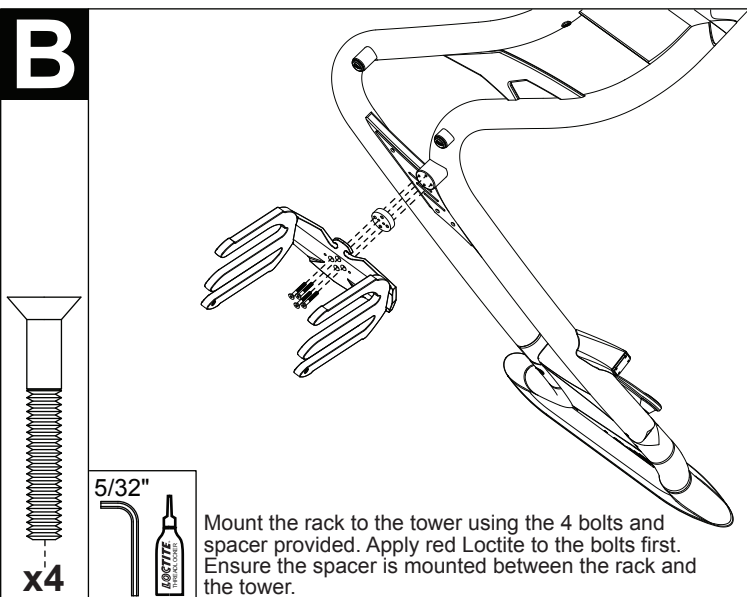
S Bend Tower Configuration



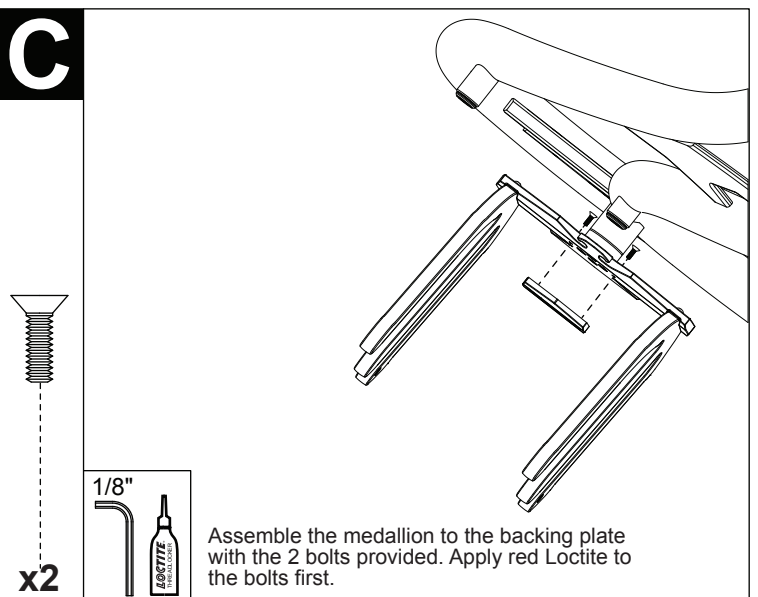
A



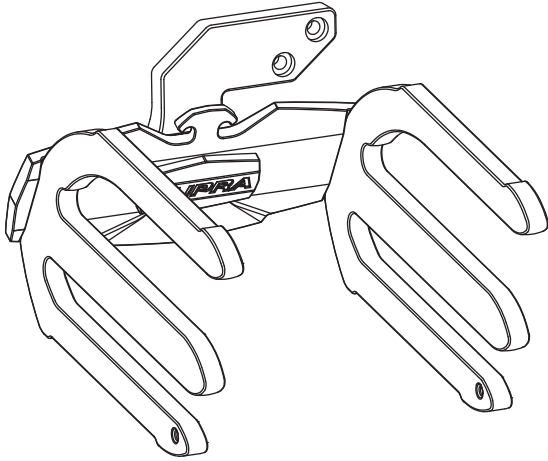
B



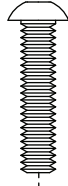
C



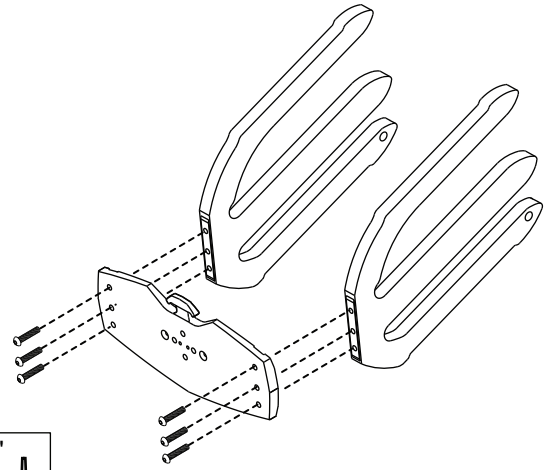
Pro Edge Tower Configuration



A

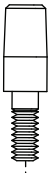


x6



Mount a backing plate to a set of tines with the 6 bolts provided. Apply red Loctite to the bolt first. Make sure the tines are properly seated in the backing plate grooves.

B

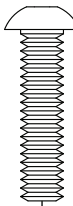


x2

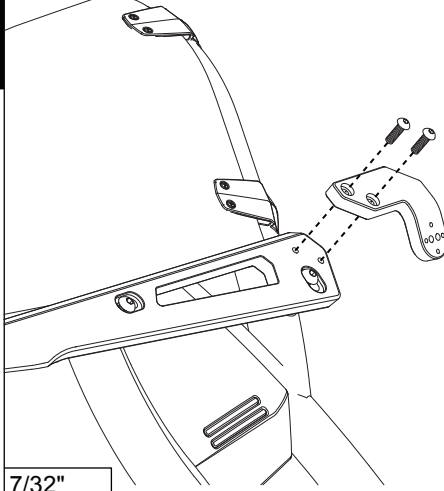


Assemble the spacer to the backing plate with the 2 custom pins provided. Apply red Loctite to the custom pins first.

C

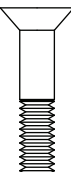


x2



Assemble the port side bracket to the bimini arm with the 2 bolts provided. Apply red Loctite to the bolts first. Repeat step with starboard bracket on starboard side.

D

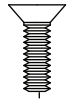


x4

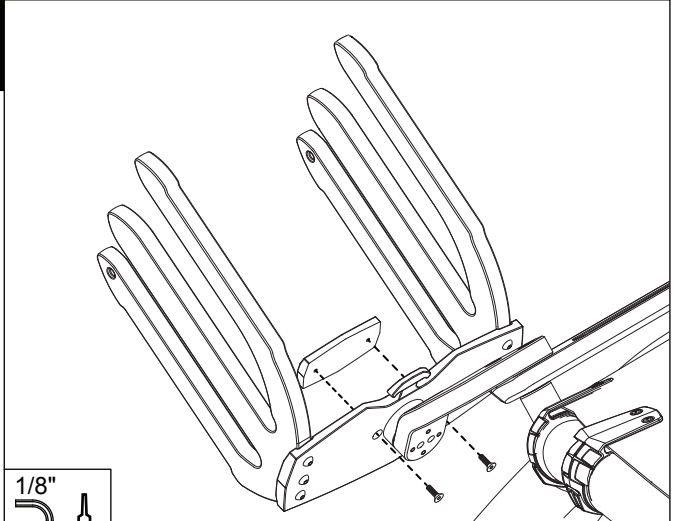


Assemble the board rack to the bracket with the 4 bolts provided. Apply red Loctite to the bolts first.

E



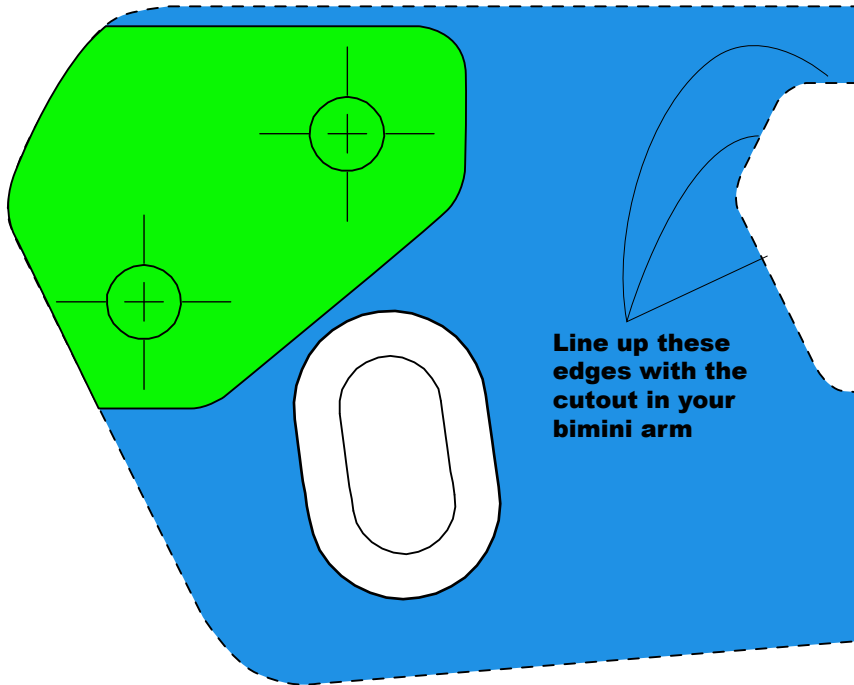
x2



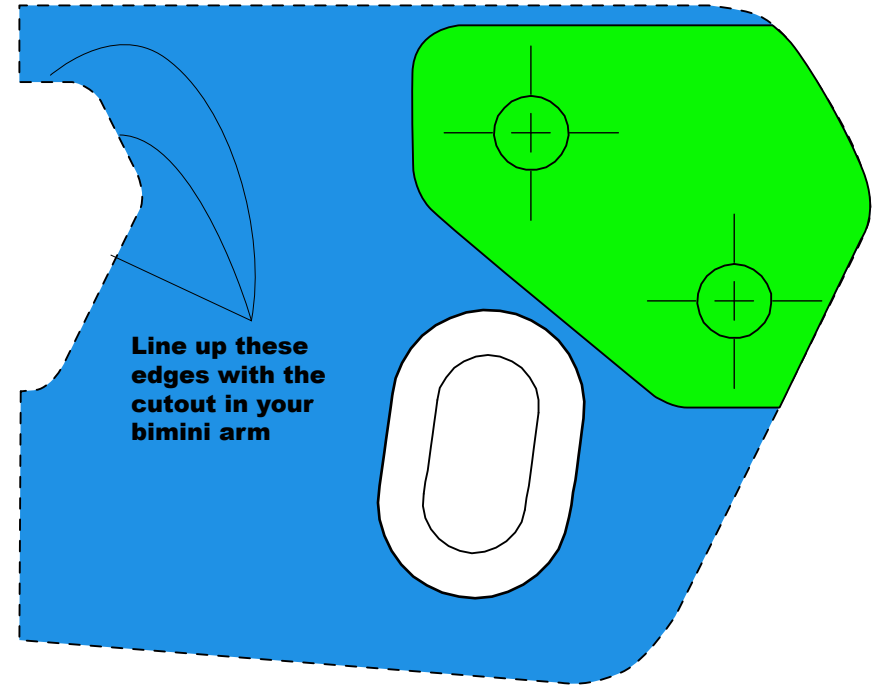
Assemble the medallion to the backing plate with the 2 bolts provided. Apply red Loctite to the bolts first.



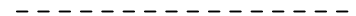
Starboard Pro Edge Bimini Arm



Port Pro Edge Bimini Arm



Cut along dotted line



Tools Required :

- Scissors
- Center Punch
- Hammer
- Drill and 5/16 Drill bit
- File or De-bur tool. Debure drilled holes before tapping
- 3/8-16 UNC Tap