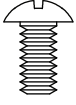


SUPRA

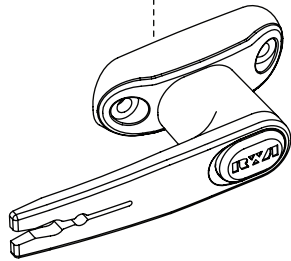
Rope Hooks Installation and Usage Instructions

ROPE HOOK PARTS

Hook & Mount x2



x4



TOOLS REQUIRED

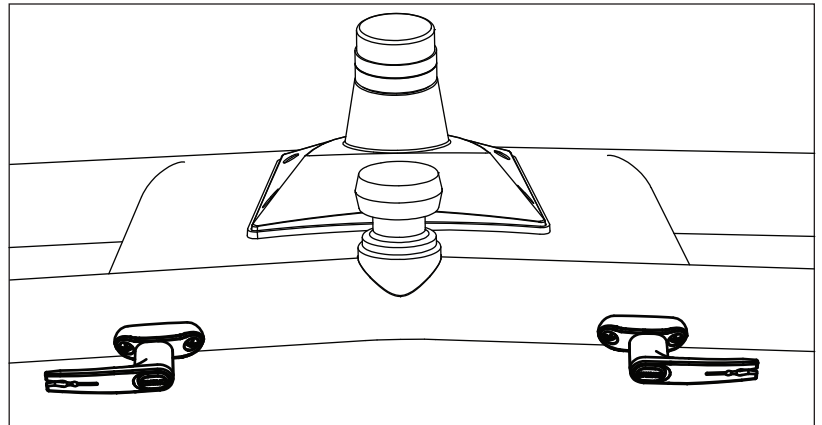
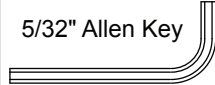


BLUE

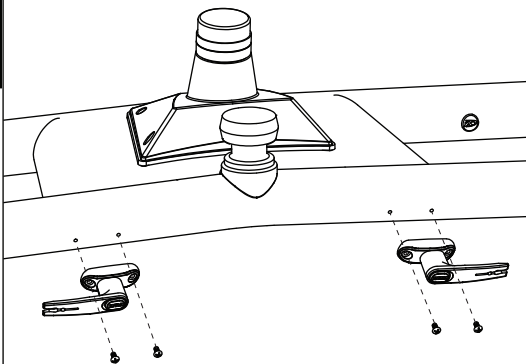


Phillips

5/32" Allen Key



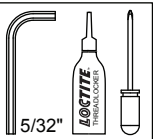
A



1 : Add a small drop of blue Loctite to each bolt and mount your rope hooks to the rear tower tube using the pre-tapped holes. Do not excessively tighten these screws.



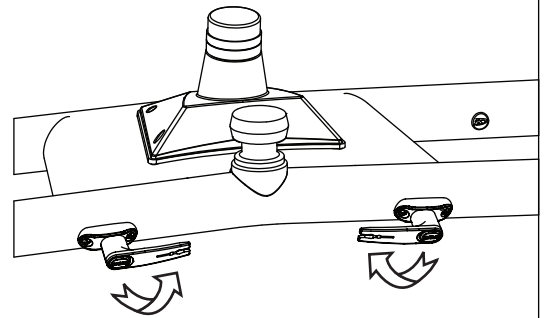
x4



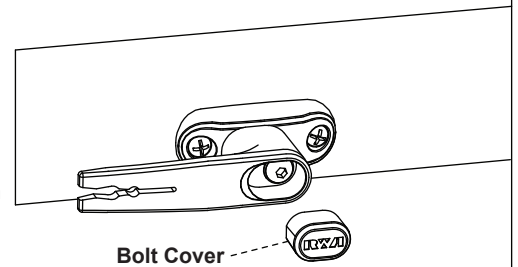
5/32"



2 : Rotate each rope hook to ensure they are tight yet rotate easily.



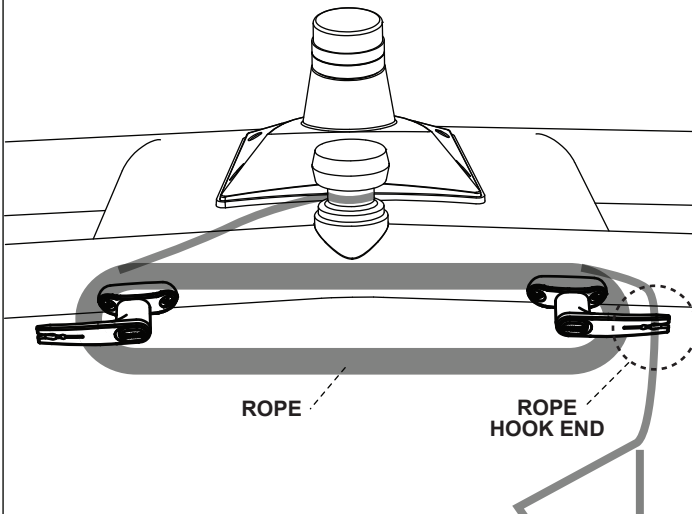
3 : If you find your hook rotation is too tight or too loose, pry out the bolt cover and carefully adjust the tightness with a 5/32" allen key. A quarter turn in either direction should be adequate.



Bolt Cover

B

1 : Your Rope Hooks must face away from each other as illustrated below before wrapping your rope. To keep your rope from unraveling, snap the end of your rope into the Rope Hook end to lock it in. Loop your handle around a hook or your tow point.



ROPE

ROPE
HOOK END

2 : To remove your rope from the Rope Hooks, remove your handle and unsnap your rope end from the hook. Rotate both Rope Hooks so that they face each other as illustrated. This allows you to remove the whole rope at once in a neat bundle.

