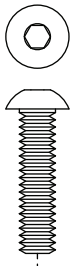


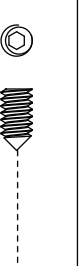




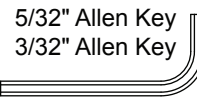
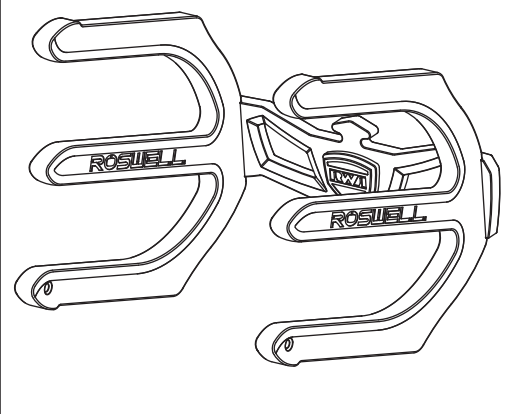


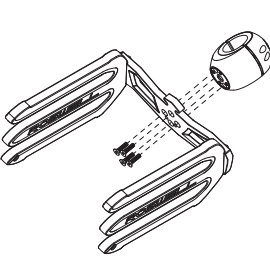
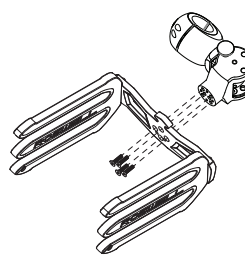
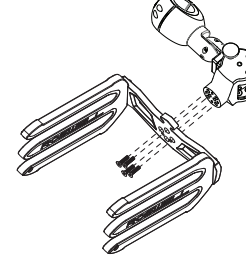
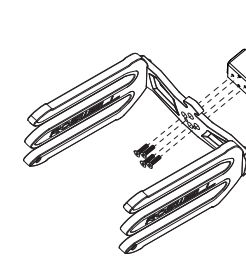
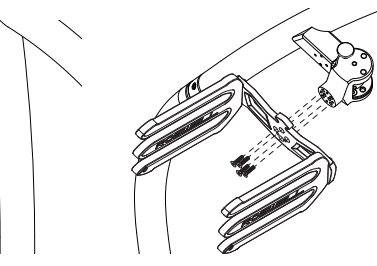
# ROSWELL

## Elite Dual Surf Rack Assembly Instructions

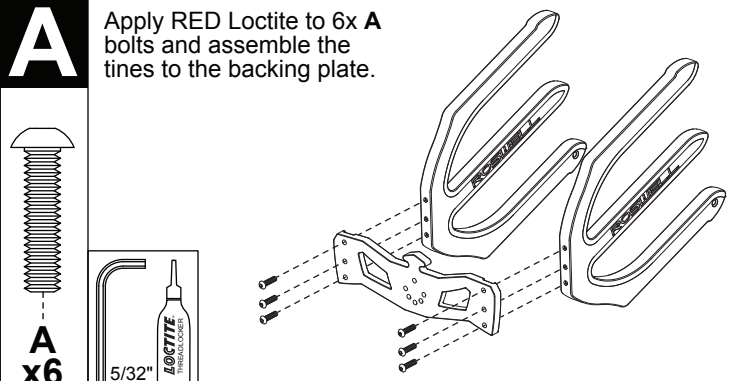
RACK HARDWARE	PARTS	TOOLS REQUIRED	
 <p><b>A</b> x6</p>  <p><b>B</b> x4</p>  <p><b>C</b> x2</p>  <p><b>D</b> x2</p>	 <p>TINES x2</p>  <p>BACKING PLATE x1</p>  <p>MEDALLION x1</p>	 <p>LOCTITE THREADLOCKER RED</p>  <p>5/32" Allen Key 3/32" Allen Key</p>	

**\*\* BOARD RACK BUNGEE CORD NOT ILLUSTRATED FOR IMAGE CLARITY \*\***

Below are the recommended mounting options for Roswell Board Racks.  
Installation instructions available with respective mounting products.

 <p>Universal Clamp</p>	 <p>Swivel &amp; Clamp</p>	 <p>Swivel, Adaptor, &amp; Clamp</p>	 <p>Fixed Tower Mount</p>	 <p>Swivel Tower Mount</p>
--	--	--	--	--

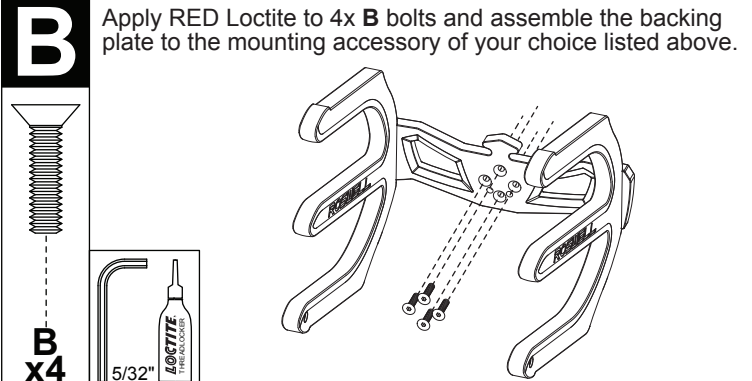
**A** Apply RED Loctite to 6x **A** bolts and assemble the tines to the backing plate.



**A**  
x6

5/32" LOCTITE

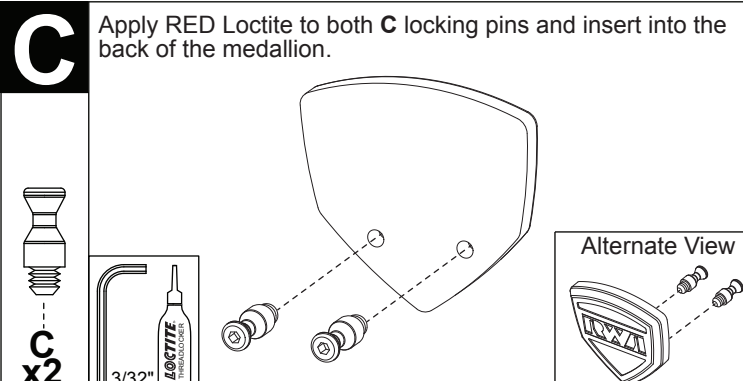
**B** Apply RED Loctite to 4x **B** bolts and assemble the backing plate to the mounting accessory of your choice listed above.



**B**  
x4

5/32" LOCTITE

**C** Apply RED Loctite to both **C** locking pins and insert into the back of the medallion.

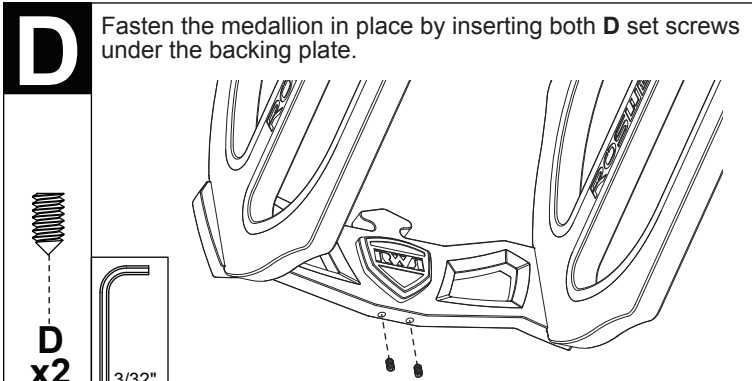


**C**  
x2

3/32" LOCTITE

Alternate View

**D** Fasten the medallion in place by inserting both **D** set screws under the backing plate.



**D**  
x2

3/32"

