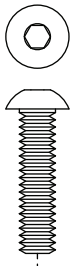


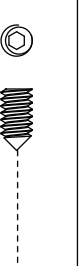




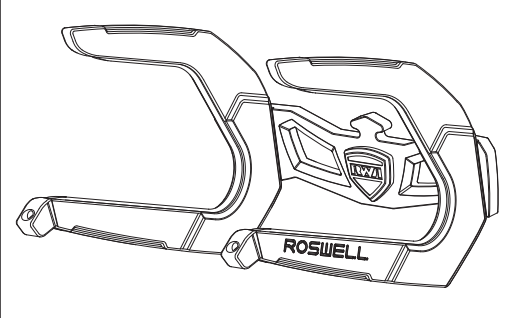


ROSWELL

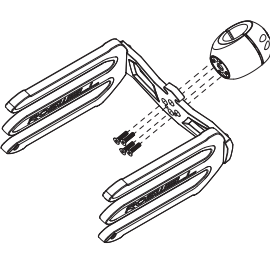
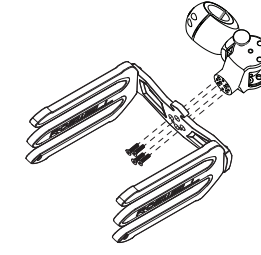
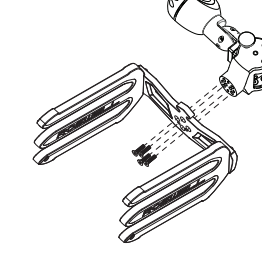
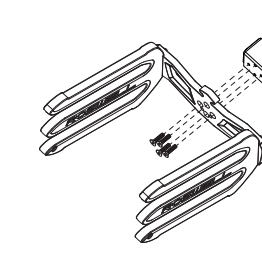
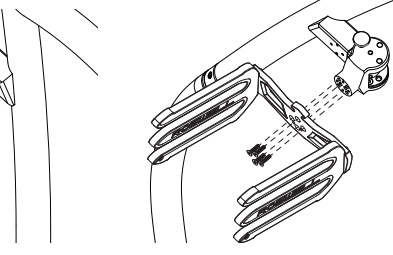
Elite Kneeboard Rack Assembly Instructions

| RACK HARDWARE | PARTS | TOOLS REQUIRED | |
|--|---|--|---|
|  <p>A x4</p>  <p>B x4</p>  <p>C x2</p>  <p>D x2</p> |  <p>TINES x2</p>  <p>BACKING PLATE x1</p>  <p>MEDALLION x1</p> |  <p>5/32" Allen Key 3/32" Allen Key</p> |  |

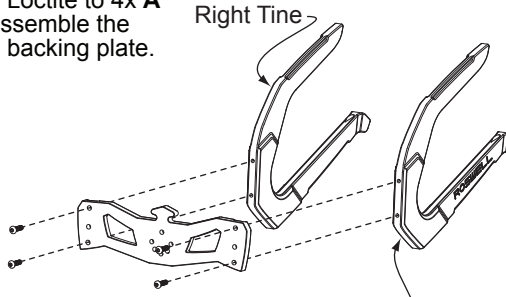
**** BOARD RACK BUNGEE CORD NOT ILLUSTRATED FOR IMAGE CLARITY ****

Below are the recommended mounting options for Roswell Board Racks.

Installation instructions available with respective mounting products.

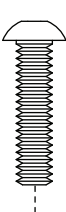
| | | | | |
|--|--|--|--|--|
|  <p>Universal Clamp</p> |  <p>Swivel & Clamp</p> |  <p>Swivel, Adaptor, & Clamp</p> |  <p>Fixed Tower Mount</p> |  <p>Swivel Tower Mount</p> |
|--|--|--|--|--|

A Apply RED Loctite to 4x **A** bolts and assemble the tines to the backing plate.





Right Tine

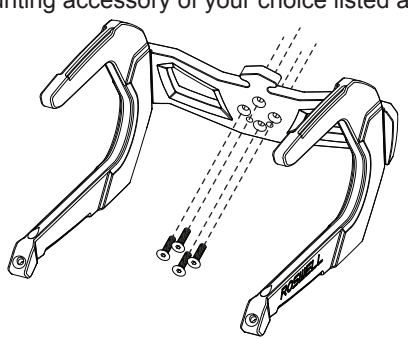
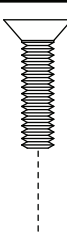
Left Tine





A
x4

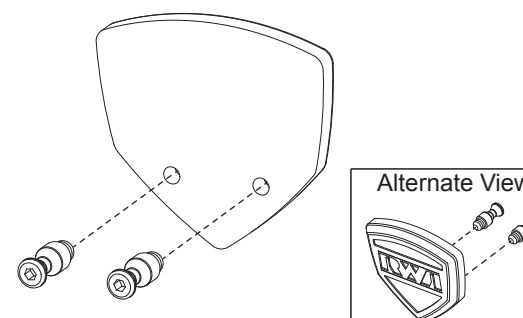
B Apply RED Loctite to 4x **B** bolts and assemble the backing plate to the mounting accessory of your choice listed above.


B
x4



C Apply RED Loctite to both **C** locking pins and insert into the back of the medallion.



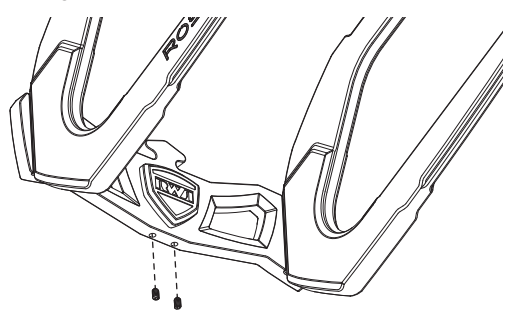

Alternate View



C
x2

D Fasten the medallion in place by inserting both **D** set screws under the backing plate.

D
x2

