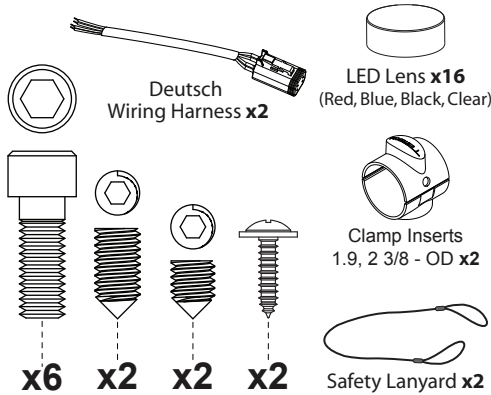
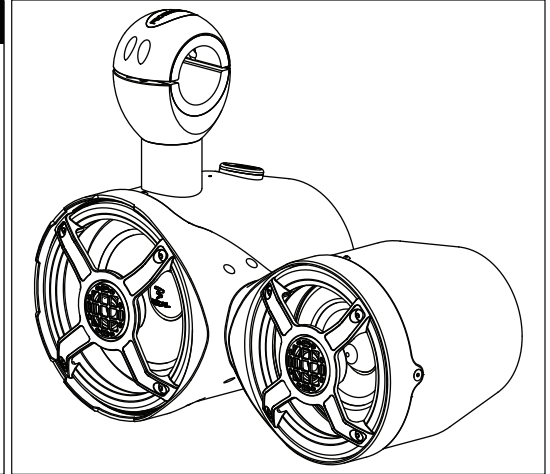
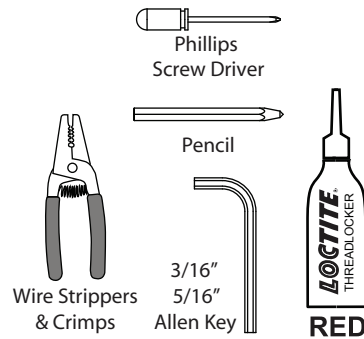


Vamp Spin Speaker Hardware



Tools Required



NOTES

Tower Wire (not included)

- If you did not purchase our Tower Wiring Harness you will need to provide 16 gauge speaker wire and 18 to 16 gauge LED wire for your tower.

Speaker Wire (not included) for wiring inside the boat

- You will need to supply a length of positive and negative 16 gauge speaker wire to run from behind the port side rear tower mount to your AMP or deck. Connections to either an AMP or deck are your responsibility to provide.

LED Deck Wire (not included)

- You will need to supply a length of positive and negative 18 to 16 gauge wire to run from behind the port side rear tower mount to your power source. We suggest connecting the LED wires to your boat's switch panel for a good 12V power source.

Positioning

- We suggest mounting your Unison Pro speakers on the rear crossbar of your tower facing backwards. Many people also position them further to the sides of the tower to have more headroom when walking around inside the boat.

Wiring for speakers is typically done along the port side as your boat's battery is easily accessible and offers more space for your AMP.

BEFORE WIRING ANYTHING PLEASE MAKE SURE YOUR BOAT, DECK, AND AMP ARE ALL TURNED OFF

Because each boat and tower setup is different there are no specific instructions for wiring the tower – generally most people will run the wires internally through their tower. To do this you will need to drill a series of holes that will allow you to run the wiring harness inside the tower to your desired mounting location. You can then fish the wires through the tower using a fish tape.

Alternatively some people choose to run their wires outside the tower using zip ties or another attachment system. The choice is yours.

Note – Be sure to run the tower wiring harness up through the tower before making your connections between the two harnesses, this will prevent having to detach the speakon or Deutsch connectors. Once you have fished each wire through the holes, attach the harnesses (we recommend using butt connectors or solder for a durable connection).

A

- If you are NOT using Roswell's Tower Wiring Harness you will need to connect the 12" included Deutsch wiring harness to your tower wires according to the chart in **STEP B**.
- If you ARE using Roswell's Tower Wiring Harness you will need to connect the included Deutsch wiring harness to the master wiring harness according to the chart in **STEP C**.

* If you are using an Area 52 SI Tower (pre-wired) follow **STEP B** *

B

Deutsch Wiring Harness

	<u>Wire Colour</u>	<u>Function</u>
Port Deutsch	White	Port Speaker +
	White/Black	Port Speaker -
	Light Blue	LED +
	Black	LED -
	<u>Wire Colour</u>	<u>Function</u>
Stbd Deutsch	White	Stbd Speaker +
	White/Black	Stbd Speaker -
	Light Blue	LED +
	Black	LED -

C

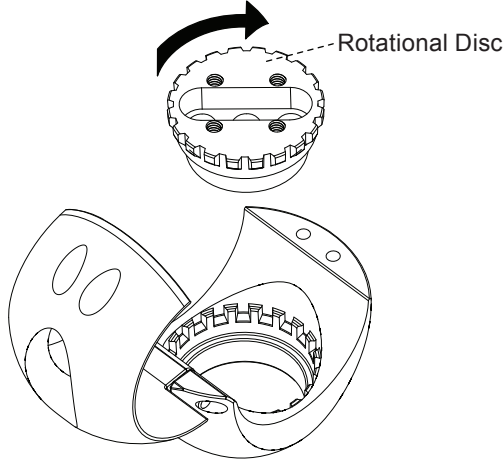
Tower Wiring Harness

<u>Terminal</u>	<u>Wire Colour</u>	<u>Function</u>
1+	Red	Port Speaker +
1-	Black	Port Speaker -
2+	Orange	Starboard Speaker+
2-	Brown	Starboard Speaker -
3+	Yellow	LED +
3-	Blue	LED -
4+	White	(Optional Nav. Light+)
4-	Green	(Optional Nav. Light -)

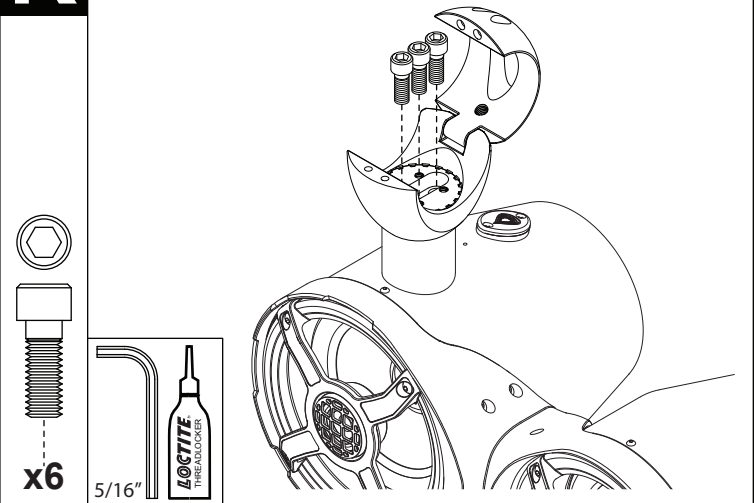
Note – You may not end up using all wires in the Tower Wiring Harness, they are there for your future use and convenience.



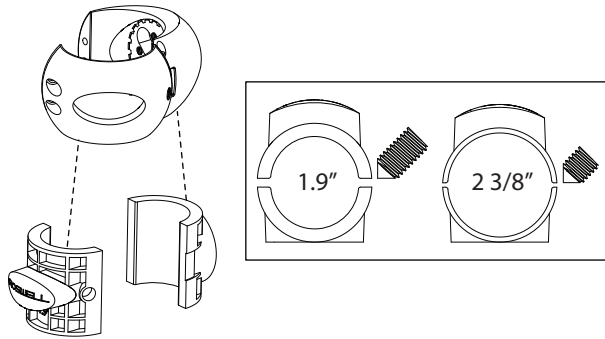
J Insert the internal rotational disk at the desired angle inside the clamp. The internal disk will rotate through each position for perfect alignment.



K Place the clamp on the speaker neck, apply RED Loctite to 3 clamp bolts and fasten clamp to speaker.



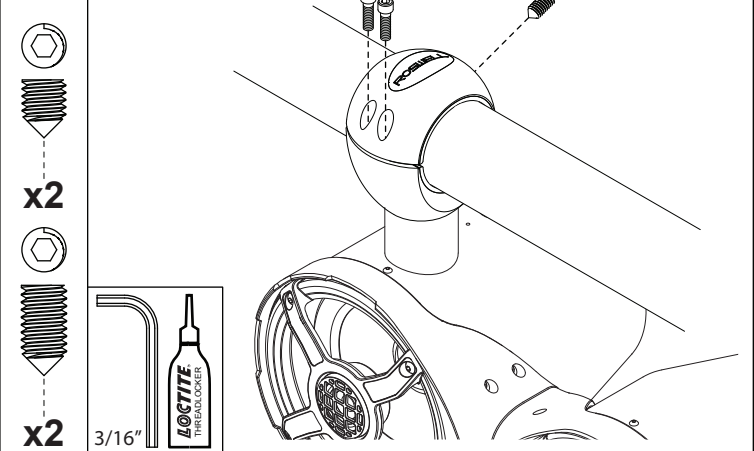
L Select the appropriate clamp inserts* for your tower, for the 2 3/8" clamp inserts use the shorter set screws.



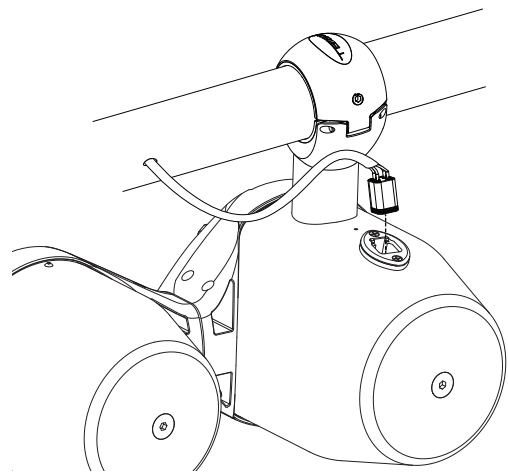
Note - To ensure tight fit use the correct plastic clamp inserts and set screws.

*You will have two sets of clamp inserts and two set screws remaining after installation. Keep for future use or recycle.

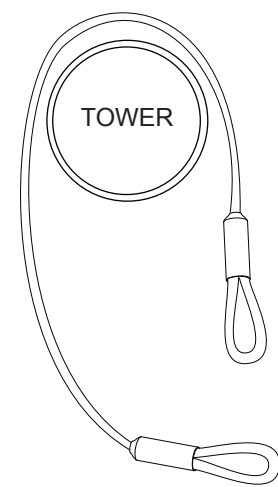
M Apply RED Loctite to the two clamp bolts and set screw. Holding the speaker in the desired position, place the clamp around the tower tubing and close. Replace hardware and tighten.



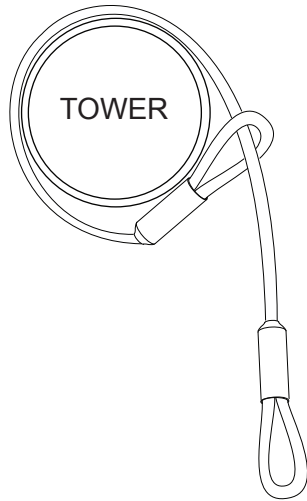
N With your stereo/amp switched off, plug the Deutsch connectors into the speakers.



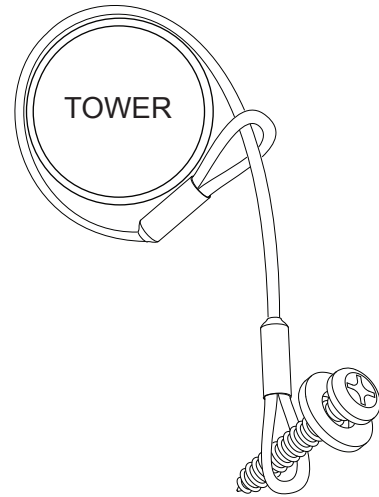
O Loop the safety lanyard over the tower next to the speaker clamp.



P Feed one end of the lanyard through the other end.



Q Insert the screw through the washer and lanyard loop.



R Using a Philips head screwdriver, securely attach the lanyard to the small hole on the speaker between the Deutsch connector and the base of the clamp. Do not overtighten.

