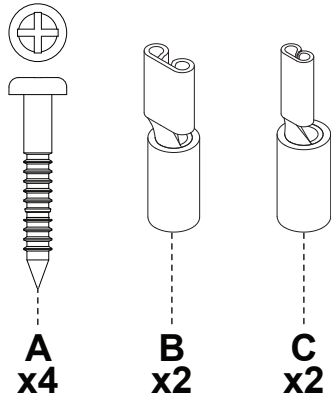
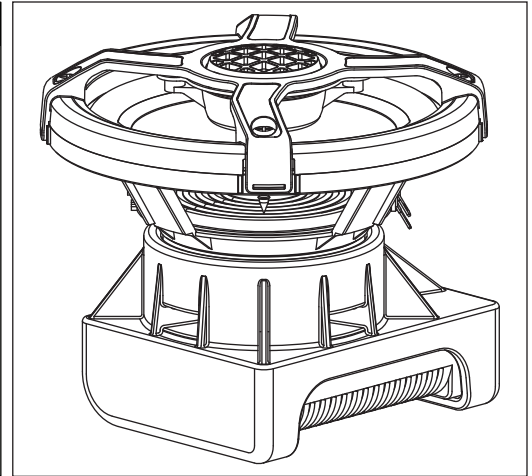


SPEAKER HARDWARE



TOOLS REQUIRED



PREPARATION

- For safety, turn off the audio system and battery switch prior to beginning installation. If your vessel does not have a battery switch simply disconnect the negative lead from the battery terminal.
- Use extreme caution before cutting and drilling holes to avoid damaging fuel lines, hydraulic lines, or existing electrical components.
- If additional wiring is required, we recommend using 16 gauge wiring and running all wires prior to mounting the speaker in place. Leave some slack in the wire to allow for easier installation and to prevent tension on the wire.
- Avoid running wires near sharp edged surfaces. Never run wires exposed on the deck, protecting the wires behind cover offers the best protection from marine elements.
- All wiring for these speakers should be done by a qualified marine technician.

A Locate a suitable area to mount the speaker in your vessel. Ensure the area is large enough to evenly mount the speaker and grill. Ensure the area behind the mounting area is spacious enough to allow proper fit and air flow.

B Use the cardboard speaker template included in the box to locate and mark the area for the speakers. Note, cut the template in half to locate and mark two speakers at the same time.

Note: the correct orientation of the grills is in the 'X' position.

C Make sure the speaker is in the desired orientation before marking the screw hole locations. Mark the holes with a pencil then drill the holes with a 1/8" bit.

Mounting screw holes make X pattern

D To cut the speaker opening, first use a drill and 1/4" bit to start the hole, then cut the 5 5/8" diameter mounting hole with a jig saw.

1)

2)

E Strip 1/4" off of the positive wire and insert into the larger quick connect and crimp. Strip 1/4" off of the negative wire and insert into the smaller quick connect and crimp.

C
x2

D
x2

+ve -ve

F Observing speaker polarity, route speaker wires and connect to the male speaker terminals matching the same size female quick connectors.

G Install speaker assembly into mounting hole and fasten with supplied hardware by hand using a Phillips screwdriver. Test for proper operation.

A
x4

